

**GENTRi10**  
**10,000 SURGE WATTS / 8,500 RUNNING WATTS**  
**TRI FUEL LPG, NATURAL GAS & GASOLINE**  
**PORTABLE GENERATOR**  
**INSTRUCTION MANUAL**



**READ ALL INSTRUCTIONS AND WARNINGS BEFORE USING THIS PRODUCT.**

This manual provides important information on proper operation & maintenance. Every effort has been made to ensure the accuracy of this manual. These instructions are not meant to cover every possible condition and situation that may occur. We reserve the right to change this product at any time without prior notice.

**IF THERE IS ANY QUESTION ABOUT A CONDITION BEING SAFE OR UNSAFE,  
DO NOT OPERATE THIS PRODUCT!**

**Visit our website for Frequently Asked Questions <http://sportsmanseriesbrand.com>**

**DO NOT RETURN THIS GENERATOR TO THE RETAILER!**

If you experience a problem, have questions or need parts for this product, call Customer Service at 1-866-460-9436, Monday-Friday, 8 AM - 4 PM Central Time. A copy of the sales receipt is required.

**FOR CONSUMER USE ONLY – NOT FOR PROFESSIONAL USE.**  
**KEEP THIS MANUAL, SALES RECEIPT & APPLICABLE WARRANTY FOR FUTURE REFERENCE.**



**SEEK THE ADVICE OF A LICENSED ELECTRICIAN FOR 120V / 240V WIRING**

## **GENTRi10 10,000 Surge Watts / 8,500 Running Watts**

This unit is a Tri Fuel Natural Gas, LPG or Gasoline Fuel powered generator.

### **FEATURES:**

- 10,000 Surge Watts / 8,500 Running Watts\*
- 4-Stroke OHV Engine 460cc
- Electric Start with Remote Start Key Fob
- 16.0 HP Tri Fuel Engine
- (Propane Tank Not Included)
- 1 - 12V D/C Outlet
- 4 - 120V A/C Outlets
- 1 - 120V RV Outlet
- Engine Run Time: 10 Hours @ 50% Load
- Runs 5 hours @ 50% Load on 20 lbs of LPG Fuel
- Low Oil Shutdown
- AVR Automatic Voltage Regulation
- EPA & CARB Approved
- Noise Level: 82 dB @ 0% Load
- Oil Capacity: 38.8 ounces
- Fuel Capacity: 7.4 gallon
- Fuel Type: Unleaded Gasoline Only 87 rating or higher
- 3,600 RPM
- Mobility Kit: Included
- Battery: Included
- Fuel type - Liquid Propane Gas (also commonly referred to as LP, LPG and Propane) Or Unleaded Gasoline, or Natural Gas
- If you are using a generator above sea level, the generator may not function properly because of air flow getting through the mixer
- High Altitude Use: This generator is not recommended for high altitude use above 3,000 feet.
- **Propane Tank Not Included**
- If you want to use a propane tank larger than 20 lbs, call Customer Service for details at 866-460-9436.
- **SURGE WATTS / RUNNING WATTS MAY BE REDUCED BY 10% WHEN USING PROPANE FUEL VS USING GASOLINE.**
- **SURGE WATTS / RUNNING WATTS MAY BE REDUCED BY 20% WHEN USING NATURAL GAS VS USING GASOLINE.**



### **2 YEAR LIMITED EMISSION-RELATED WARRANTY**

THIS ENGINE MEETS U.S. EPA EMISSION STANDARDS UNDER 40 CFR 1054.625 .The emission-related limited warranty is valid for two (2) years. Keep the purchase receipt and mail in the product registration card for proof of purchase. Buffalo Corp limits emission-related warranty repairs to authorized service centers for owners located within 100 miles of an authorized service center. For owners located more than 100 miles from an authorized service center, Buffalo Corp will, in its sole discretion, either pay for shipping costs to and from an authorized service center, provide for a service technician to come to the owner to make the warranty repair, or pay for the repair to be made at a local non-authorized service center. The provisions of this paragraph apply only for the contiguous states, excluding the states with high-altitude areas identified in 40 CFR part 1068, Appendix III.

To exercise this warranty, DO NOT RETURN TO RETAILER. Instead, call Customer Service toll free at 1-866-460-9436 (email address [info@buffalotools.com](mailto:info@buffalotools.com)) and you will be instructed on where to take the engine for warranty service. Take the generator and proof of purchase (your receipt) to the repair facility recommended by the Customer Service Representative. The warranty does not extend to generators damaged or affected by fuel contamination, accidents, neglect, misuse, unauthorized alterations, use in an application for which the product was not designed and any other modifications or abuse.

### **1 YEAR LIMITED WARRANTY (30 Day Limited Warranty for Commercial and Rental Purpose)**

Generators are warranted to be free from defects in materials and workmanship for a period of 1 YEAR from date of original purchase. Buffalo Corp. is not liable for any indirect, incidental or consequential damages from the sale or use of this product. Any implied warranties are limited to 1 YEAR as stated, or as otherwise stated, in this written limited warranty. Some states do not allow the exclusion or limitation of incidental or consequential damages. Some states do not allow limitation on the length of an implied warranty. Buffalo Corp will repair or replace, at its discretion, any part that is proven to be defective in materials or workmanship under normal use during the 1 YEAR warranty period. Warranty repairs or replacements will be made without charge for parts or labor. Parts replaced during warranty repairs will be considered as part of the original product and will have the same warranty period as the original product. This warranty gives you specific legal rights, and you may have other rights that vary state to state and you may have other rights that vary state to state.

# TABLE OF CONTENTS

|   |    |
|---|----|
| RECOGNIZE SAFETY SYMBOLS, WORDS AND LABELS..... | 4  |
| PACKAGE CONTENTS                                |    |
| PACKAGE CONTENTS .....                          | 9  |
| COMPONENTS.....                                 | 10 |
| PREPARING THE GENERATOR FOR USE .....           | 11 |
| Using This Generator For The First Time.....    | 11 |
| Step 1 – Add Oil.....                           | 11 |
| Step 2 – Connect Fuel.....                      | 11 |
| Step 3 – Ground The Generator .....             | 13 |
| Subsequent Use Of This Generator .....          | 13 |
| Step 1 – Verify Oil Level .....                 | 13 |
| Step 3 – Ground The Generator .....             | 14 |
| STARTING THE GENERATOR .....                    | 14 |
| USING THE GENERATOR.....                        | 15 |
| AC Usage .....                                  | 15 |
| DC Usage.....                                   | 17 |
| STOPPING THE GENERATOR.....                     | 18 |
| MAINTENANCE/CARE .....                          | 18 |
| Recommended Maintenance Schedule .....          | 18 |
| Cleaning The Generator .....                    | 18 |
| Checking The Oil Level .....                    | 19 |
| Changing/Adding Oil .....                       | 19 |
| Air Filter Maintenance .....                    | 20 |
| Spark Plug Maintenance .....                    | 20 |
| Changing Fuel Line .....                        | 20 |
| STORAGE/TRANSPORT PROCEDURES .....              | 20 |
| TROUBLESHOOTING .....                           | 21 |
| SPECIFICATIONS .....                            | 22 |
| PARTS DIAGRAM .....                             | 23 |
| CONTROL PANEL WIRING DIAGRAM.....               | 31 |
| PORTABILITY KIT INSTALLATION.....               | 32 |
| POWERING GENERATOR WITH NATURAL GAS .....       | 33 |
| USING THE WIRELESS REMOTE KEY FOB .....         | 34 |
| EMISSION CONTROL SYSTEM WARRANTY .....          | 35 |

# RECOGNIZE SAFETY SYMBOLS, WORDS AND LABELS

## What You Need to Know About Safety Instructions

Warning and Important Safety Instructions appearing in this manual are not meant to cover all possible conditions and situations that may occur. Common sense, caution and care must be exercised when operating or cleaning tools and equipment.

Always contact your dealer, distributor, service agent or manufacturer about problems or conditions you do not understand.



This is the safety alert symbol. It is used to alert you to potential personal injury hazards. Obey all safety messages that follow this symbol to avoid possible injury or death.



DANGER indicates an imminently hazardous situation which, if not avoided, will result in death or serious injury.



WARNING indicates a potentially hazardous situation which, if not avoided, could result in death or serious injury.



CAUTION indicates a potentially hazardous situation which, if not avoided, may result in minor or moderate injury.

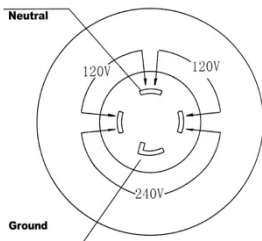


CAUTION used without the safety alert symbol indicates a potentially hazardous situation which, if not avoided, may result in property damage.



**SEEK THE ADVICE OF A LICENSED ELECTRICIAN FOR 120V / 240V WIRING**

**Enlarged View Of 120/240 Volt Outlet**



### High Altitude Use:

This generator is not recommended for high altitude use above 3,000 feet.

### Legal Requirements:

Federal and/or State Occupational Safety and Health Administration (OSHA) regulations, local codes, and/or ordinances may apply to the intended use of this generator. Consult a qualified electrician, electrical inspector, and/or the local agency having jurisdiction. Some areas require generators to be registered with local utility companies. Additional regulations may apply if this generator will be used at a construction site.

## IMPORTANT SAFETY INSTRUCTIONS

# STOP!

Before using this generator and if you have any questions regarding the hazard and safety notices listed in this manual and/or on this generator, call 1-866-460-9436, Monday - Friday, 8 AM - 4 PM Central Time.

### DANGER

**Carbon Monoxide Gas:** When in operation, the exhaust from this generator contains poisonous carbon monoxide gas. Carbon monoxide gas is both odorless and colorless AND may be present even if you do not see or smell gas. Breathing this poison gas can lead to headaches, dizziness, drowsiness, loss of consciousness and eventually death.

- Use this generator ONLY outdoors in non-confined areas.
- Keep at least several feet of clearance on all sides to allow proper ventilation for this generator.

### WARNING

**Chemicals:** According to the State of California, the exhaust from this generator contains chemicals known to cause cancer, birth defects, or other reproductive harm.

### WARNING

**Propane (LPG):** This generator may emit highly flammable and explosive vapors, which can cause severe burns or even death. A nearby open flame can lead to an explosion even if not directly in contact the fuel.

- Do not operate this generator near open flame.
- Always operate this generator on a firm, level surface.

**This fuel is highly flammable and explosive. Handling fuel can result in serious injury or burns.**

- Before starting the generator, inspect your LPG tank valve for damage or leaks, attach only approved tanks that have been properly filled by an approved station. DO NOT light or smoke cigarettes.
- Replace the hose at the first sign of a leak or if age-cracking becomes apparent.
- Always handle propane fuel and generator outdoors.
- Before transporting, turn the fuel valve to the "off" position and disconnect the spark plug.

### DANGER

**Powerful Voltage:** This generator produces powerful voltage, which can result in electrocution.

- ALWAYS ground this generator before using it. (See "Ground the Generator" section in this manual).
- Only electrical devices should be plugged into this generator, either directly or with an extension cord. NEVER connect a building electrical system to this generator without a qualified electrician. **Doing so voids your warranty.** Such connections must isolate generator power from utility power and comply with local electrical laws and codes. Failure to comply can create a back feed into utility lines creating an electrocution hazard, which may result in serious injury or death to utility workers. Such a back feed may cause this generator to explode, burn and create fires when utility power is restored.
- Do not use this generator in wet conditions (rain, snow, active sprinkler system, wet hands, etc.). Always keep this generator dry and operate it with dry hands.
- Do not touch bare wires or outlets (receptacles).
- Do not allow children or non-qualified persons to operate this generator.

### DANGER

**High Temperatures:** This generator produces heat when in operation. Temperatures near the exhaust can exceed 150 Degrees Fahrenheit (65 Degrees Celsius).

- Do not touch hot surfaces. Observe all warning placards on this generator denoting hot surfaces.
- Allow this generator to cool for several minutes after use before touching the engine, muffler or other areas that are hot during operation and before storing indoors.
- Hot exhaust may ignite some materials. Keep flammable materials away from this generator.
- Keep at least several feet of clearance on all sides of this generator during operation. Do not enclose this generator in any structure.

**⚠ WARNING**

**Usage:** Avoid the use of extension cords if possible. If you choose to use them, be sure they are sized adequately to handle the flow of electricity. An undersized cord can overheat, short out and cause a fire.

**⚠ CAUTION**

**Usage:** Misuse of this generator can damage it or shorten its life.

- Use this generator only for its intended purpose.
- Operate this generator only on a dry, level surface.
- Allow this generator to run for several minutes before connecting any electrical devices.
- Promptly turn off any malfunctioning devices and disconnect them.
- Do not operate an excessive number of electrical devices in excess of the wattage capacity of this generator.
- Do not turn on electrical devices until *after* they are connected to this generator.
- Turn off all connected electrical devices before stopping this generator.

**⚠ DANGER**

Flammable liquid gas under pressure. Can form explosive mixtures with air. May cause frostbite. **In Case Of Inhalation:** Persons suffering from lack of oxygen should be removed to fresh air. If victim is not breathing, administer artificial respiration. If breathing is difficult, administer oxygen. Obtain prompt medical attention. **In Case Of Eye Contact:** Contact with liquid or cold vapor can cause freezing of tissue. Gently flush eyes with lukewarm water. Obtain medical attention immediately. **In Case Of Skin Contact:** Contact with liquid or cold vapor can cause frostbite. Immediately warm affected area with lukewarm water not to exceed 105°F (40°C). **Fire And Explosion Hazards:** Propane is easily ignited. It is heavier than air, therefore, it may collect in low areas or travel along the ground where an ignition source may be present. Pressure in a container can build up due to heat, and it may rupture if pressure relief devices should fail to function. **Storage:** Cylinders should be stored upright with valve protection cap in place and firmly secured to prevent falling or being knocked over. Protect cylinders from physical damage; do not drag, roll, slide or drop. Use a suitable hand truck for cylinder movement. Post "No Smoking or Open Flames" signs in the storage areas. There should be no sources of ignition. All electrical equipment should be explosion proof in the storage and use areas. Storage areas must meet national electric codes for class 1 hazardous areas.

**⚠ DANGER**

Propane smells like rotten eggs, a skunk's spray, or a dead animal. IF YOU SMELL GAS- NO FLAMES OR SPARKS! Immediately put out all smoking materials and other open flames. Do not operate lights, appliances, telephones, or cell phones. - Flames or sparks from these sources can trigger an explosion or a fire.

**WHAT IS CARBON MONOXIDE (CO)?**

You can't taste or smell CO, but it is a very dangerous gas. High levels of CO can come from appliances that are not operating correctly, or from a venting system or chimney that becomes blocked. CO CAN BE DEADLY! High levels of CO can make you dizzy or sick. In extreme cases, CO can cause brain damage or death.

Symptoms of CO poisoning include: headache, dizziness, fatigue, shortness of breath, and nausea.

**IF YOU SUSPECT CO IS PRESENT, ACT IMMEDIATELY!**

1. If you or a family member shows physical symptoms of CO poisoning, get everyone out of the building and call 911 or your local fire department.
2. If it is safe to do so, open windows to allow entry of fresh air, and turn off any appliances you suspect may be releasing CO.
3. If no one has symptoms, but you suspect that CO is present, call your propane retailer or a qualified service technician to check CO levels and your propane equipment.

**⚠ WARNING**

**Usage:** Consult a physician(s) before using this generator if using a pacemaker. Electromagnetic fields in close proximity to a heart pacemaker could cause a pacemaker to malfunction or fail. Caution is necessary when near the engine's recoil starter.

**⚠ CAUTION**

**Usage:** Prolonged exposure to high noise levels can be hazardous to hearing. Always wear ANSI-approved hearing protection when operating or working around the generator when it is running.

## CAUTION

**Usage:** This generator is not intended to power sensitive electronic equipment such as TVs, DVD players, stereos, desktop computers or laptop computers without the use of an appropriate line conditioner and/or surge protector (both not included). Sensitive electronic equipment should be operated on approved inverter type generators or pure sine wave generators. For additional information consult the devices operation manual or call customer service at 1-866-460-9436 Monday - Friday, 8 AM - 4 PM Central Time.

### **⚠ WARNING**

THIS GENERATOR PRODUCES HEAT WHEN RUNNING. TEMPERATURES NEAR EXHAUST CAN EXCEED 150°F. (65° C) DO NOT TOUCH HOT SURFACES. PAY ATTENTION TO WARNING LABELS ON THE GENERATOR DENOTING HOT PARTS OF THE MACHINE. ALLOW GENERATOR TO COOL AFTER USE BEFORE TOUCHING ENGINE OR AREAS WHICH HEAT DURING USE.

### **⚠ WARNING**

The engine exhaust from this product contains chemicals known to the State of California to cause cancer, birth defects or other reproductive harm.

### **⚠ WARNING**

EXHAUST CONTAINS POISONOUS CARBON MONOXIDE GAS THAT CAN BUILD UP TO DANGEROUS LEVELS IN CLOSED AREAS. BREATHING CARBON MONOXIDE CAN CAUSE UNCONSCIOUSNESS OR DEATH. Never run the generator in a closed or even partly closed area where people may be present.

### **⚠ WARNING**

THE GENERATOR IS A POTENTIAL SOURCE OF ELECTRICAL SHOCK IF NOT KEPT DRY. Do not expose the generator to moisture, rain or snow. Do not operate the generator with wet hands. READ OWNER'S MANUAL CAREFULLY BEFORE OPERATION.

### **⚠ DANGER**

IMPROPER CONNECTIONS TO A BUILDING CAN ALLOW ELECTRICAL CURRENT TO BACKFEED INTO UTILITY LINES, CREATING AN ELECTROCUTION HAZARD. Connections to a building must isolate generator power from utility power and comply with all applicable laws and electrical codes.

### **⚠ WARNING**

Propane smells like rotten eggs, a skunk's spray, or a dead animal. IF YOU SMELL GAS- NO FLAMES OR SPARKS! Immediately put out all smoking materials and other open flames. Do not operate lights, appliances, telephones, or cell phones. Flames or sparks from these sources can trigger an explosion or a fire.

### **⚠ DANGER**

IMPROPER CONNECTIONS TO A BUILDING CAN ALLOW ELECTRICAL CURRENT TO BACKFEED INTO UTILITY LINES, CREATING AN ELECTROCUTION HAZARD. Connections to a building must isolate generator power from utility power and comply with all applicable laws and electrical codes.

### **⚠ WARNING**

GASOLINE IS HIGHLY FLAMMABLE AND EXPLOSIVE. YOU COULD BE BURNED OR SERIOUSLY INJURED IF THE GASOLINE IS IGNITED. Before refueling, stop the engine and keep heat, sparks and flame away. Handle fuel only outdoors. Do not fill the fuel tank above the upper limit line. Wipe up spills immediately.



In addition to the previously described safety information, familiarize yourself with all safety and hazard placards on this generator.

**⚠ DANGER POISONOUS GAS**

Generator exhaust contains toxic carbon monoxide gas. Breathing exhaust can cause loss of consciousness and shortness of breath. NEVER operate generator in poorly ventilated areas.

**⚠ WARNING**

Risk of electric shock. Do not remove cover. No user serviceable parts inside. Refer servicing to qualified service personnel.

**⚠ WARNING! RISK OF ELECTRIC SHOCK**

**This generator produces high voltage.**  
 Always ground properly before use.  
 Do not connect to any building electrical system.  
 Never use in rainy or wet conditions.  
 Never touch bare wires or receptacles.  
 Never allow children or non-qualified person to operate.



USE THIS GENERATOR ONLY OUTDOORS IN NON-CONFINED AREAS. DO NOT SECURE THE GENERATOR WITH A CHAIN OR ROPE, AS THIS WILL MAKE IT DIFFICULT TO MOVE IN AN EMERGENCY.

**⚠ CAUTION! HOT EXHAUST**

**⚠ DO NOT TOUCH**

**⚠ CAUTION!**  
**HIGH TEMPERATURE**  
**DO NOT TOUCH**

**⚠ DANGER**

Using a generator indoors CAN KILL YOU IN MINUTES. Generator exhaust contains carbon monoxide. This is a poison you cannot see or smell.

NEVER use inside a home or garage. EVEN IF doors and windows are open.

Only use OUTSIDE and far away from windows, doors, and vents.

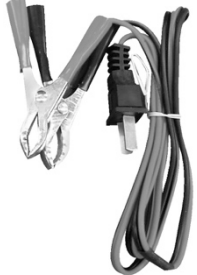
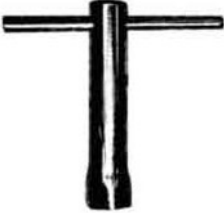



## PACKAGE CONTENTS

The following items are supplied with this Model GENTRI10 Portable LP & Gasoline Generator. Verify that all items are included.

# STOP!

If there are missing items, call 1-866-460-9436, Monday - Friday, 8 AM - 4 PM Central Time for customer service. **DO NOT RETURN THIS GENERATOR TO THE RETAILER.**

| Item List:  |   |
|---|---|
|    | DC battery charging cables for charging 12 V<br>olt automotive-type batteries |
|   | Spark plug wrench   |
|  | Remote Start Key Fob  |
|   | 12V Battery   |

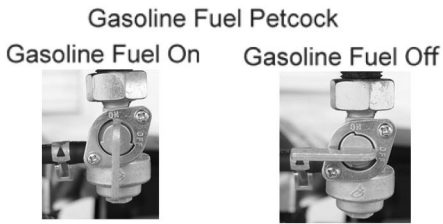
# GENERATOR COMPONENTS

Observe the locations and functions of the various components and controls of this generator.



Air Filter

Recoil Start

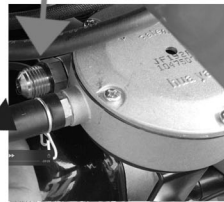


Gasoline Fuel Petcock

Gasoline Fuel On

Gasoline Fuel Off

Regulator Hose



LP & Natural Gas Inlet

Choke Open



Choke Closed



**WARNING:**  
**YOU MUST USE**  
**THE SUPPLIED**  
**LP REGULATOR**  
**FOR SAFE**  
**OPERATION**



To prevent electrical shock from faulty appliances, the generator should be grounded. Connect a length of heavy wire between the ground terminal and the ground source.

Consult with a qualified electrician to ensure compliance with local electrical codes.

**ATTENTION:**

The Air-fuel Mixer is not adjustable. Tampering with the governor can damage your generator and electrical devices, and will void your warranty.

# PREPARING THE GENERATOR FOR USE

## Using this Generator for the First-Time

# STOP!

# CAUTION

The following section describes the required steps for preparing this generator for the first use. Failure to correctly perform these steps can damage this generator and/or shorten its life. If still unsure about how to perform any of these steps after reading this section, call 1-866-460-9436 Monday - Friday, 8 AM - 4 PM Central Time for customer service.

If this generator is being used for the first time, the following few steps are required to prepare it for operation:

### Step 1 - Add Oil

This generator requires engine oil to function. Engine oil is a major factor affecting engine performance and service life. When new from the package, this generator contains no oil in the engine crankcase. The correct quantity of oil is equal to the oil capacity of the engine crankcase. Add the correct quantity of oil before operating this generator for the first time. When replenishing oil for subsequent use of this generator, always determine that this generator has the correct quantity of oil.

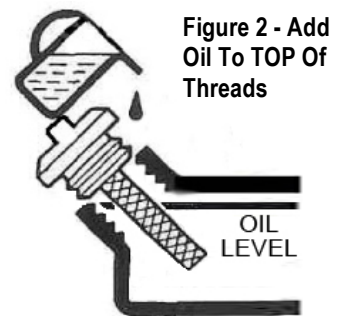
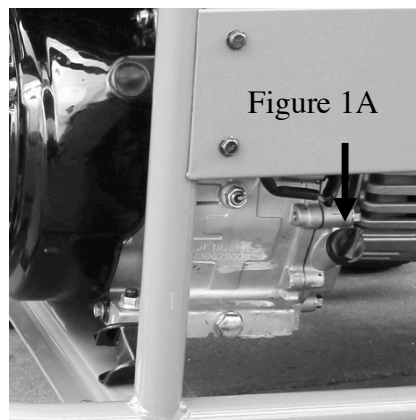
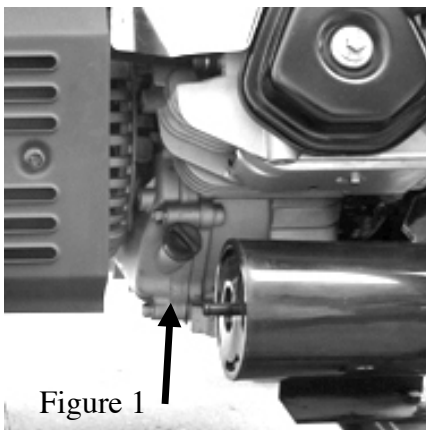
|                      |                                    |
|----------------------|------------------------------------|
| Oil Capacity         | 38.8 ounces                        |
| Oil Type Recommended | Non Synthetic Motor Oil, SAE10W-30 |

To add oil:

1. Confirm that this generator is on a level surface.
2. There are TWO oil filler/dipsticks located on either side of the generator. Unscrew either oil filler/dipstick cap from the engine as illustrated in Figure 1/1A.
3. Using a funnel, add motor oil to fill the engine crankcase to the correct quantity. SAE10W-30 oil is recommended for general, all-temperature use.

When the engine crankcase is full, the oil level should reach all the way up to the threads as illustrated in Figure 2.

4. Replace the oil filler/dipstick cap.



### Step 2 – Connect Fuel

#### **WARNING**

Sulfur, water, dust, etc. are harmful for engine. If the gas supply source (LPG) contains these harmful elements, user must use filter to remove sulfur, water etc. and clean gas. Otherwise, the engine service lifetime will be shortened.

Choose either LPG, Natural Gas or Gasoline fuel. If using LPG or Natural gas, first connect the regulator hose that was included with the generator to the Propane Fuel Tank or the Natural Gas Tank. Then connect the other end to the Gas Inlet. Make sure the LPG cylinder is vertical and securely positioned. (LPG/NG Tank not included)

If using gasoline fuel, add Unleaded gasoline only with an octane rating of 87 or higher.

### Pre-Operation Check List

Step 1 Check that the gas supply source is in good condition. Check that the gas inlet connection is tightly fixed and not leaking.

Step 2 CHOKE VALVE GRIP is at CHOKE (CLOSE) position. The generator may be hard to start if CHOKE VALVE GRIP is at RUN (OPEN) position.

Step 3 Check if engine oil is full.

Step 4 AC OUTPUT no load connected.

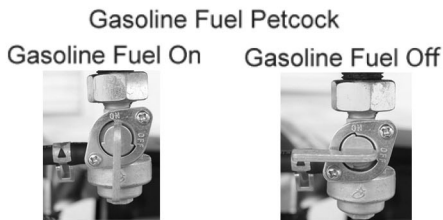
Disconnect all electrical loads from the generator set before starting the engine. The generator may be hard to start if a load is connected.

Step 5 DC OUTPUT no load connected.



Air Filter

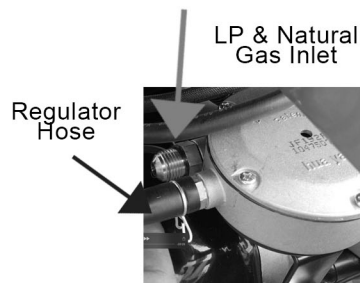
Recoil Start



Gasoline Fuel Petcock

Gasoline Fuel On

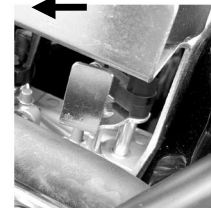
Gasoline Fuel Off



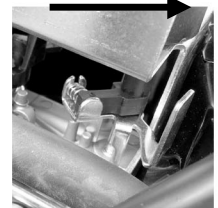
LP & Natural Gas Inlet

Regulator Hose

Choke Open



Choke Closed



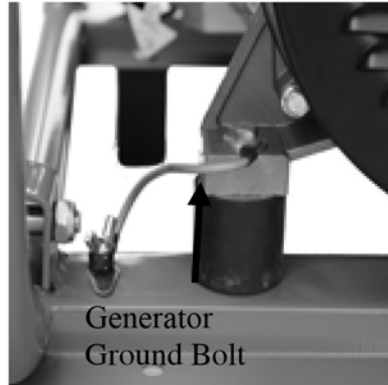
### Step 3 - Ground the Generator

#### **⚠ WARNING**

Failure to properly ground this generator can result in electrocution.

Ground this generator by using a No. 12 AWG (American Wire Gauge) stranded copper wire (not included) and attach one end to the battery ground bolt and attach the other end to a copper or brass grounding rod that is driven into the earth.

Grounding codes can vary by location. Contact a local electrician for information on grounding regulations for your area.



### Subsequent Use of this Generator

For subsequent uses of this generator after the first use, certain steps still must be completed to prepare it for operation.

**IMPORTANT: Be familiar with the procedures described in the previous section titled “Using the Generator for the First Time” of this manual. If not, review this section now.**

### Step 1 - Verify Oil Level

Even though this generator is equipped with an automatic shutoff to protect it from damage due to low oil, it is important to check the oil level in the engine crankcase before each use to ensure that there is sufficient quantity.

1. Verify that this generator is on a level surface.
2. There are TWO oil filler/dipsticks located on either side of the generator. Unscrew either oil filler/dipstick cap from the engine as illustrated in Figure 1/1A .
3. With a dry cloth, wipe the oil off of the dipstick that is located on the inside of the cap.
4. Fully insert the dipstick without screwing the filler/dipstick cap and then remove again. There should be oil on the dipstick. If there is no oil on the dipstick, or oil is visible only at the very end of the dipstick, add oil until the engine crankcase is filled. (See “Changing/Adding Oil” in the “Maintenance/Care” section of this manual).
5. Confirm that the oil filler/dipstick cap is properly screwed in place when finished verifying the oil level.

|                             |                                      |
|-----------------------------|--------------------------------------|
| <b>Oil Capacity</b>         | 38.8 ounces                          |
| <b>Oil Type Recommended</b> | High Detergent Motor Oil, SAE 10W-30 |

### Step 3 - Ground the Generator

#### **⚠ WARNING**

Failure to properly ground this generator can result in electrocution.

Ground this generator by tightening the grounding nut against a grounding wire as previously illustrated in Figure 3. A generally acceptable grounding wire is a No. 12 AWG (American Wire Gauge) stranded copper wire. The other end of this grounding wire should be connected to a copper or brass grounding rod that is driven into the earth. Grounding codes can vary by location. Contact a local electrician for information on grounding regulations for your area.

## STARTING THE GENERATOR

# STOP!

Before starting this generator, confirm that all the steps in the section titled, "Preparing the Generator for Use," of this manual have been correctly completed. If unsure about how to perform any of these steps, call 1-866-460-9436, Monday - Friday, 8 AM - 4 PM Central Time for customer service.

#### **⚠ CAUTION**

Disconnect all electrical loads from this generator before attempting to start.

#### Battery Included

(For replacement, use a 12 Volt motorcycle battery no larger than 6" L x 3.8" H x 3.8" W (151 mm x 99 mm x 98 mm).  
CCA (Cold Cranking Amps): 130 Min CCA. (Comparable model is CYLAZ10SXTA)

If the electric start feature of this generator will be used, first install the battery using the two included cables (one red and the other black) according to the following procedure:

1. Attach one end of the red cable to the positive terminal on the battery and the other end of the red cable to the celenoid.
2. Attach one end of the black cable to the negative terminal and the other end of the black cable to the bolt on the mounting bracket frame.

#### Positive Red



Battery Install

#### Negative Black

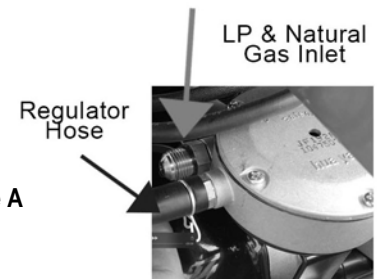


Figure A

- Step 1 If using LPG, first connect the regulator that was included with the generator to Propane Fuel Tank, then connect the other end to the Gas Inlet. (Fig A). Make sure the LPG cylinder is vertical and securely positioned. (LPG Tank not included). (If connecting to Natural Gas, contact a qualified NG technician before installation. The included regulator is ONLY for use with LPG tanks.)
- Step 2 Turn ENGINE SWITCH at ON position.
- Step 3 Move Choke Lever to CHOKE (Closed) position.
- Step 4 For recoil start: Pull the STARTER GRIP slowly until resistance is felt and then pull rapidly. After the engine started, return the STARTER GRIP gently to prevent damage to the starter or housing. DO NOT allow the starter grip to snap back. Return it slowly by hand.
- Step 5 For electric start: Turn the key to START and hold until engine starts. If the engine fails to start within five seconds, release and wait at least 5 seconds before attempting to start the engine again.
- Step 6 Once it is started, release the key and turn the CHOKE LEVER to RUN (Open) position.

#### Choke Rod

The choke is used to provide an enriched fuel mixture when starting a cold engine. It can be opened and closed by operating the choke lever manually. Slide to right for CLOSED position to enrich the mixture for cold starting.

## USING THE GENERATOR

After the engine has been running for several minutes, electrical devices may be connected to this generator.

### AC Usage

Electrical devices running on AC current may be connected according to their wattage requirements. The rated (running) and surge wattage:

|                                |        |
|--------------------------------|--------|
| <b>Rated (Running) Wattage</b> | 10,000 |
| <b>Surge Wattage</b>           | 8,500  |

The *rated (running) wattage* corresponds to the maximum wattage a generator can output on a continuous basis.

The *surge wattage* corresponds to the maximum amount of power a generator can output for a short time. Many electrical devices, such as a refrigerator, require short bursts of extra power for starting and stopping fan motors, etc., in addition to their listed rated wattage. Motorized devices typically require more than their rated wattage for startup. The surge wattage ability of a generator allows for this extra power requirement.

The total running wattage requirement of the electrical devices connected to a generator should not exceed the rated wattage of the generator itself. To calculate the total wattage requirement of the electrical devices to be connected, look up the rated (running) wattage of each device and add these numbers together to find the total wattage that all of the devices together will draw from the generator. If the total wattage of the selected devices exceeds the rated wattage of the generator, DO NOT connect all of the devices. Select a combination of the electrical devices that will have a total wattage less than or equal to the rated wattage for the generator, i.e., no more than 7200 for this generator.

### **CAUTION**

This generator can run at its surge wattage capacity for only a short time. Connect electrical devices requiring a rated (running) wattage equal to or less than the rated wattage of this generator. Never connect devices requiring a rated wattage equal to the surge wattage of a generator.

A device's rated (running) wattage should be listed somewhere on the device itself and/or in its manual. If the wattage specification for a device is not available, the wattage can be calculated by multiplying the Voltage requirement (120 or 240) by the Amperage drawn.

Watts = Volts x Amperes

Or, the wattage required by a device can be estimated by using the following chart (see Figure 7). The chart provides only estimates and it is better to know the exact wattage of each electrical device to be powered by this generator.

| Electrical Device                  | Rated (Running) Watts | Additional Surge Watts |
|------------------------------------|-----------------------|------------------------|
| air compressor (1 HP)              | 1500                  | 3000                   |
| air compressor (1 - 1/2 HP)        | 2500                  | 2500                   |
| airless sprayer (1/3 HP)           | 600                   | 1200                   |
| box fan                            | 300                   | 600                    |
| clock radio AM/FM                  | 300                   | 0                      |
| coffee maker                       | 1500                  | 0                      |
| computer w/17 inch monitor         | 800                   | 0                      |
| deep freezer                       | 500                   | 500                    |
| electric drill (1/2 HP)            | 1000                  | 1000                   |
| DVD/CD player or VCR               | 100                   | 0                      |
| furnace fan blower (1/2 HP)        | 800                   | 1300                   |
| garage door opener (1/2 HP)        | 480                   | 520                    |
| hot plate                          | 2500                  | 0                      |
| light bulb (75 watt)               | 75                    | 0                      |
| microwave oven (1000 watt)         | 1000                  | 0                      |
| quartz halogen work light          | 1000                  | 0                      |
| refrigerator/freezer (18 Cu. Ft.)  | 800                   | 1600                   |
| saw - circular (7 1/4 inch)        | 1500                  | 1500                   |
| saw - miter (10 inch)              | 1800                  | 1800                   |
| saw - reciprocating                | 960                   | 1040                   |
| security system                    | 180                   | 0                      |
| electric stove - single element    | 1500                  | 0                      |
| sump pump                          | 800                   | 1200                   |
| television (27 inch color)         | 500                   | 0                      |
| electric water heater (40 gallon)  | 4000                  | 0                      |
| window air conditioner (10000 BTU) | 1200                  | 1800                   |
| window fan                         | 300                   | 600                    |

**Figure 7 - Estimated wattage requirements for common electrical devices.**



Connect electrical devices to this generator according to the following procedure:

1. Allow the engine to run for several minutes after it has been started.
2. Confirm that the electrical device is switched off prior to plugging it into this generator.

**CAUTION**

Connect only electrical devices that are in good working order. Faulty devices or power cords present the risk of electrical shock. Immediately turn off and disconnect any device that commences to operate abnormally, sluggish or abruptly stops. Determine if the problem was the device or the rated load capacity of this generator has been exceeded.

**NOTE:** Plug appliances into the correct outlet. Connect standard 120 Volt, single phase, 60 Hz loads to the 120 Volt outlet. Connect 240/120Volt, single phase, 60Hz loads with a L14-30 plug only to the 240/120 Volt outlet. See Figure 8 for an illustration of these outlets.

**CAUTION**

Even though this Portable Tri Fuel Generator GENTRI10K has an overall rated wattage of 8500, do not attempt to draw more than 20 AMPS from any set of Two receptacles of the 120 Volt outlets. Draws higher than 20 Amps will damage this generator and void the warranty.

3. Make sure AC Reset button is pressed in.

**NOTE:** While this generator is running, power is available from either the standard 120 Volt outlets or the 240/120 Volt outlet. Both 120 Volts and 240 Volts can be simultaneously drawn from this generator.

4. Turn on the connected electrical devices beginning with the device with the highest rated wattage requirement and then each additional device with the next lower rated wattage requirement.

**CAUTION**

Do not connect 50Hz or 3-phase loads to this generator.

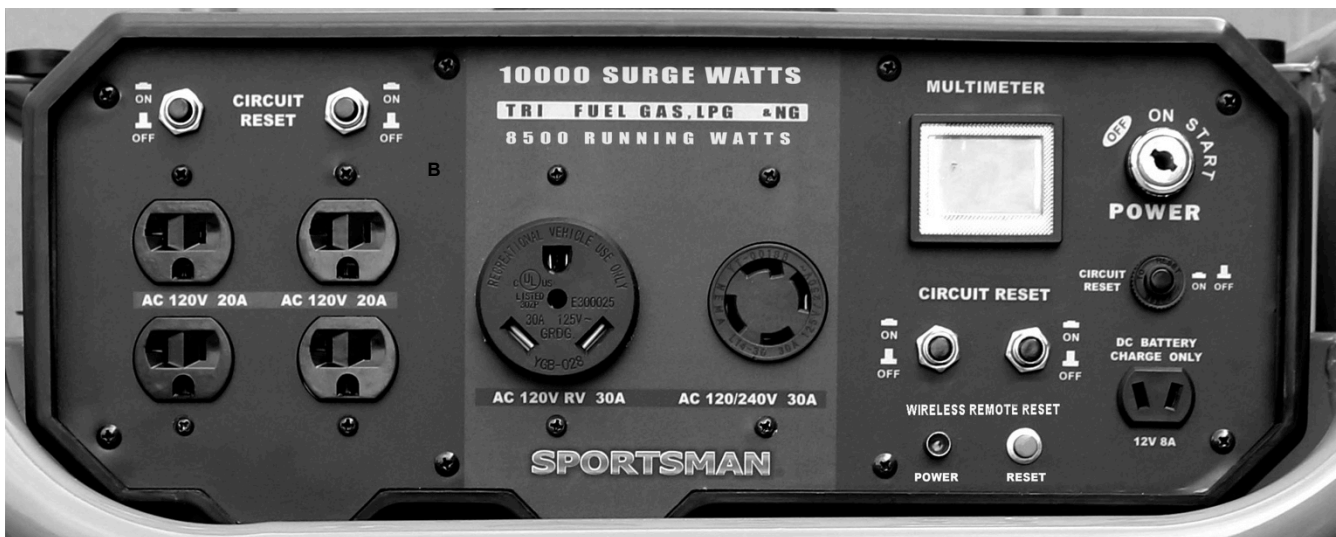


Figure 8 - Outlets available on this generator, from left to right:  
4 each 120V AC , 120V AC RV, 120/240V AC and 12V DC.

## SOME NOTES ABOUT POWER CORDS

Long or thin cords can require more wattage from a generator to power an electrical device. Figure 9 shows the recommended cords according to the power requirement of the electrical device. When using cords that exceed these specifications, allow for the electrical device to have a slightly higher rated wattage requirement.

| Device Requirements |              |              | Max. Cord Length (ft) by Wire Gauge |          |          |          |          |
|---------------------|--------------|--------------|-------------------------------------|----------|----------|----------|----------|
| Amps                | Watts (120V) | Watts (240V) | #8 wire                             | #10 wire | #12 wire | #14 wire | #16 wire |
| 2.5                 | 300          | 600          | NR                                  | 1000     | 600      | 375      | 250      |
| 5                   | 600          | 1200         | NR                                  | 500      | 300      | 200      | 125      |
| 7.5                 | 900          | 1800         | NR                                  | 350      | 200      | 125      | 100      |
| 10                  | 1200         | 2400         | NR                                  | 250      | 150      | 100      | 50       |
| 15                  | 1800         | 3600         | NR                                  | 150      | 100      | 65       | NR       |
| 20                  | 2400         | 4800         | 175                                 | 125      | 75       | 50       | NR       |
| 25                  | 3000         | 6000         | 150                                 | 100      | 60       | NR       | NR       |
| 30                  | 3600         | 7200         | 125                                 | 65       | NR       | NR       | NR       |
| 40                  | 4800         | 9600         | 90                                  | NR       | NR       | NR       | NR       |

NR = Not Recommended.

Figure 9 - Maximum Extension Cord Lengths by Power Requirement

## DC Usage

### **⚠ CAUTION**

The DC outlet is only for recharging 12 Volt automotive-type batteries. Do not connect any other device to this outlet.

### **⚠ CAUTION**

Use this generator only for recharging 12 Volt batteries. NEVER attempt to jumpstart a car with this generator.

### **⚠ DANGER**

Failing to use the correct procedure can cause a battery to explode, seriously injuring anyone nearby. Keep heat, sparks, flame and smoking materials away from the battery.

To connect 12 Volt batteries to the DC outlet:

1. Connect the red charging wire to the positive terminal of the battery and the black charging wire to the negative terminal of the battery.
2. Connect the plug end of the wire to the 12V DC outlet on this generator.
3. Start this generator.
4. When disconnecting, always disconnect the wires from this generator first to avoid a spark.

### **⚠ DANGER**

**Storage batteries emit highly explosive hydrogen gas when charged.**

**Batteries also contain acid, which can cause severe chemical burns.**

- Do not allow open flames or cigarettes nearby for several minutes after charging a battery.
- Always wear protective goggles and rubber gloves when charging a battery.
  - If battery acid gets on the skin, flush with water.
  - If battery acid gets in the eyes, flush with water and immediately call a physician.
  - If battery acid is swallowed, drink large quantities of milk and immediately call a physician.

## STOPPING THE GENERATOR

To stop this generator:

1. Turn off all connected electrical devices and then unplug them.
2. Allow this generator to run for several more minutes with no electrical devices connected to help stabilize the temperature of this generator.
3. Turn off the engine switch.
4. If using LP Propane or Natural Gas, turn the tank fuel valve to the “off” position.

### **⚠ WARNING**

Allow this generator to cool down before touching areas that become hot during operation.

## MAINTENANCE/CARE

Proper routine maintenance of this generator is essential for safe, economical, and trouble-free operation. It will help prolong the life of this generator as well as help reduce air pollution. Perform maintenance checks and procedures according to the schedule in Figure 10.

# STOP!

If you have questions about maintenance procedures described in this manual, call 1-866-460-9436, Monday - Friday, 8 AM - 4 PM Central Time.

### **⚠ CAUTION**

Never perform maintenance procedures while this generator is running. Allow this generator to cool before commencing any maintenance procedures. Keep heat, sparks and flame away.

### **⚠ WARNING**

Improper maintenance and/or failure to correct any problems prior to operating this generator can cause a malfunction which could cause death or serious injury. Always follow the inspection and maintenance recommendations and schedules in this manual.

## Recommended Maintenance Schedule

|                 |             | Each Use | Every Month or<br>Each 20 Hrs | Every 3 Months or<br>Each 50 Hrs | Every 6 Months or<br>Each 100 Hrs | Every Year or<br>Each 300 Hrs |
|-----------------|-------------|----------|-------------------------------|----------------------------------|-----------------------------------|-------------------------------|
| Engine Oil      | Check Level | X        |                               |                                  |                                   |                               |
|                 | Replace     |          | X (First Use)                 |                                  | X                                 |                               |
| Air Filter      | Check       | X        |                               |                                  |                                   |                               |
|                 | Clean       |          |                               | X                                |                                   |                               |
| Fuel Filler Cap | Clean       |          |                               |                                  | X                                 |                               |
| Spark Plug      | Check/Clean |          |                               |                                  | X                                 |                               |
|                 | Clean       |          |                               |                                  |                                   | X                             |

Figure 10 - Recommended maintenance schedule

## Cleaning the Generator

Always try to use this generator in a cool dry place. If this generator becomes dirty, the exterior can be cleaned with a damp cloth, soft brush, vacuum and/or pressurized air.

Never clean this generator with a bucket of water and/or a hose as water can get inside and cause a short circuit or corrosion.

Never use gasoline to clean parts of this generator.

## Checking the Oil Level

Even though this generator is equipped with an automatic shutoff to protect it from damage due to low oil, it is important to check the oil level in the engine crankcase before each use to ensure that there is a sufficient quantity.

To check the oil level:

1. Verify that this generator is shut down and on a level surface.
2. There are TWO oil filler/dipsticks located on either side of the generator. Unscrew either oil filler/dipstick cap from the engine. (Figure 10/10A.)
3. With a dry cloth, wipe the oil off of the dipstick that is located on the inside of the cap.
4. Insert the dipstick as if replacing the cap and then remove again. There should be oil on the dipstick. If there is no oil on the dipstick, or oil is visible only at the very end of the dipstick, add oil until the engine crankcase is filled (see "Changing/Adding Oil" in this section of this manual).
5. Confirm that the oil filler/dipstick cap is properly in place when finished verifying the oil level.

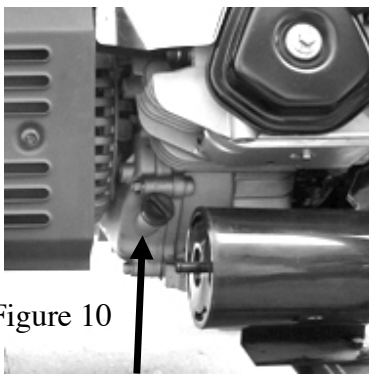


Figure 10

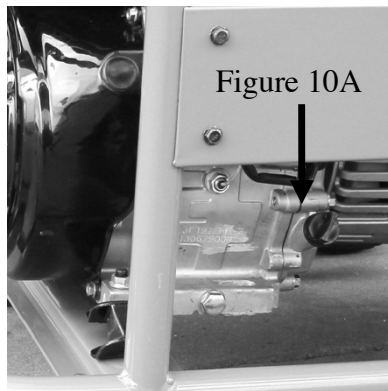
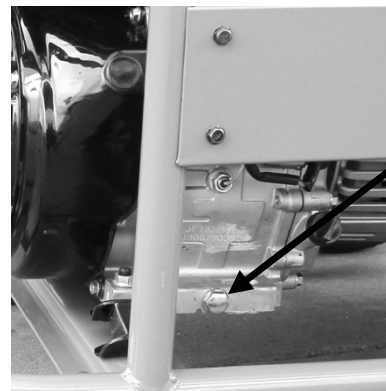


Figure 10A



OIL DRAIN  
Figure 11

## Changing/Adding Oil

The oil level in this generator should be checked before each use. There are TWO oil filler/dipsticks located on either side of the generator. Unscrew either oil filler/dipstick cap from the engine. (See Figure 10/10A.)

**ADD OIL UNTIL IT IS ALMOST OVERFLOWING. THE LOW-OIL SENSOR IS VERY SENSITIVE AND THE ENGINE WILL NOT RUN IF THE OIL IS LOW. START WITH 38.8 OUNCES, THEN ADD MORE UNTIL ALMOST OVERFLOWING.**

**TROUBLESHOOTING: IF THE GENERATOR WILL NOT START, DOUBLE CHECK THAT THE OIL LEVEL IS COMPLETELY FULL AND ALMOST OVERFLOWING.**

To drain the oil from this generator:

The oil should be changed after the first 20 hours of operation. The oil should then be changed every 6 months, or for every 100 hours of use time, or when it has become contaminated with water and/or dirt.

1. Place a bucket underneath this generator to catch oil as it drains.
2. Using a 17 mm hex wrench, unscrew the oil drain plug located on the crankcase underneath the oil filler/dipstick cap. (See Figure 11.)
3. Allow all the oil to drain from this generator.
4. Replace the oil drain plug and tighten with a 17 mm hex wrench.

**NOTE: Never dispose of used motor oil in the trash, down a drain or on the ground. Put oil in a sealed container and contact your local recycling center or auto garage to arrange oil disposal.**

To add oil to the engine crankcase:

1. Confirm that this generator is on a level surface.

2. Unscrew the oil filler/dipstick cap from the engine as illustrated in Figure 10/10A.
3. Using a funnel, add high detergent motor oil to fill the engine crankcase to the correct quantity. SAE10W-30 oil is recommended for general use. When the engine crankcase is full, the oil level should reach the lower lip of the oil filling opening as shown in Figure 13.

|                             |                                     |
|-----------------------------|-------------------------------------|
| <b>Oil Capacity</b>         | 38.8 ounces                         |
| <b>Oil Type Recommended</b> | High Detergent Motor Oil, SAE10W-30 |

## Air Filter Maintenance

Occasionally verify that the air filter is free of excessive dirt. The air filter will require more frequent cleaning when operating this generator in extremely dusty areas.

1. Unhinge the clasps at the top and bottom of the air filter cover as shown in Figure 14.
2. Remove the sponge-like elements from the casing.
3. Wipe the dirt from inside the empty air filter casing.
4. Wash the sponge-like elements in household detergent and warm water.

**Do not use gasoline or a flammable solvent.**

5. Allow the sponge-like elements to dry thoroughly.
6. Soak the dry sponge-like elements in engine oil. Squeeze out any excess oil. The engine will smoke during initial startup if too much oil is left in the air filter.
7. Replace the sponge-like elements in the air filter casing (the fine element first) and replace the cover.



**Figure 14 - Air Filter Casing.**



**Figure 16 - Locating the Spark Plug**

## Changing Fuel Line

Fuel line installation instruction (include the carburetor and the fuel tank ,etc. ) :

1. Connect clamp (Φ7.5) to the fuel hose;
2. Slide fuel hose onto connection until it touches the bottom;
3. Then secure with clamp.

## Spark Plug Maintenance

This Generator uses a spark plug model F6RTC. Comparable model spark plug is Champion RN11YC. (Figure 16)

## STORAGE/TRANSPORT PROCEDURES

### **⚠ CAUTION**

**Never place any type of storage cover on this generator while it is still hot.**

When transporting or storing this generator for extended time:

- Allow generator to fully cool before moving it. A hot engine and exhaust system can burn you and ignite some materials.
- Disconnect the battery used for the electric start feature of this generator, first disconnecting the black cable and then the red cable.
- Turn the fuel valve to the “off” position.
- Disconnect the spark plug. (See Figure 16, Locating the spark plug.)
- Do not obstruct any ventilation openings.
- Do not drop or strike this generator while moving it.
- Store this generator in a cool dry area, free of excessive dust.

**To store this generator for extended time if you have used gasoline: Drain the gasoline from the carburetor AND fuel tank.**

To drain gasoline from this generator:

1. Turn the fuel valve to the “off” position and let the engine run until it stops.
2. Remove the fuel filter cup.)
3. Empty the fuel filter cup of any fuel.
4. Place a receptacle underneath this generator to catch gasoline as it drains.

5. Turn the fuel valve to the “on” position and allow all gasoline to drain.
6. Turn the fuel valve to the “off” position.
7. Replace the fuel filter cup.
8. Store the drained gasoline in a suitable place.

## TROUBLESHOOTING

**IMPORTANT:** If trouble persists, call our customer help line at 1-866-460-9436, Monday - Friday, 8 AM - 4 PM Central Time.

| Symptom   | Cause   | Solution   |
|---|---|--|
| Engine will not start.  |   |  |
|   | Fuel valve is turned to "closed."             | Turn fuel valve to "open."   |
|   | Choke is open.                                | Close the choke.   |
|   | Propane/ Natural Gas Tank is out of fuel.     | Replace propane/Natural gas tank.  |
|   |   |  |
|   | Spark plug is dirty.                          | Clean spark plug.  |
|   |   |  |
| Generator runs but does not support all connected electrical devices. | Generator is not on level surface.            | Move generator to a level surface to prevent triggering the low oil shutdown.  |
|   | Oil is low.                                   | Add or replace oil.  |
|   | Generator is overloaded.                      | Reduce draw on generator to within this generator's rated wattage by reducing number of connected electrical devices.  |
| Generator runs but does not support all connected electrical devices. | Short in one of the connected devices.        | Disconnect any faulty or short-circuited electrical loads.   |
|   | Air filter is dirty.                          | Clean or replace air filter.   |
|   | Loose wiring harness connection               | Turn off generator, then check wiring behind control panel and at the end of generator for loose connection. If wires are loose, tighten the screws and/or nuts. Be certain the plug in connectors are pushed together all the way.          |
| Engine runs but there is no electrical output.                        | Reset button(s) is (are) "off."               | Push reset button(s) to "on."  |
|   | Loose wiring harness connection               | Turn off generator, then check wiring behind control panel and at the end of generator for loose connection. If wires are loose, tighten the screws and/or nuts. Be certain the plug in connectors are pushed together all the way.          |
|   | Bad connecting wires/cables.                  | Try a different extension cord.  |
|   | Bad electrical device connected to generator. | Disconnect device, try connecting another device.  |
|   | Carbon Brushes are worn down                  | Turn off generator, then look at the brush holder at the end of the generator to determine if the brushes are still against the copper bands on the end of the rotor. If they are worn down, replace the 2 wires the same way they came off. |
|   | AVR shorted out or burned out                 | Turn off the generator, then remove the 2 screws at the end of the generator. Look for the burn spots on the back side of the AVR. If there is burn spots, replace the AVR.  |



# SPECIFICATIONS

## Generator

|      |  |
|------|--|
| Type | Brush, Revolving Magnetic Field, Self Exciting, 2-Pole, Single Phase |
|------|--|

## AC Output

|                      |   |
|----------------------|---|
| Rated Wattage (W)    | 8,500   |
| Surge Wattage (W)    | 10,000  |
| Rated Voltage (V)    | 120/240   |
| Rated Amperage       | 20A+20A+20A+20A at 120 V<br>30 A at 240 V<br>30 A at 120 RV |
| Rated Frequency (Hz) | 60  |
| Phase                | Single  |

## DC Output

|                              |    |
|------------------------------|----|
| Voltage (V)                  | 12 |
| Circuit Breaker Amperage (A) | 8  |

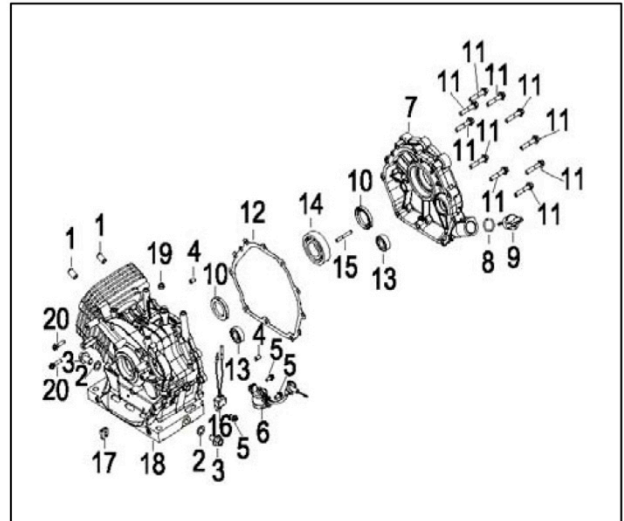
## Engine

|                                |  |
|--------------------------------|--|
| Approvals                      | EPA & CARB   |
| Engine Model (HP)              | 16   |
| Engine Type                    | 4-stroke OHV single cylinder with forced air cooling system. |
| Ignition System                | Non-contact transistor (T.C.I.)                              |
| Starting System                | Recoil & Electric  |
|                                |  |
| Continuous Operating Hours GAS | Run time = 10 hrs @ 50% load                                 |
| Continuous Operating Hours LPG | Run time = 5 hrs @ 50% load per 20 lbs of LPG fuel           |
| Oil Capacity (SAE10W-30)       | 38.8 ounces  |
|                                |  |
|                                |  |

## PARTS DIAGRAM

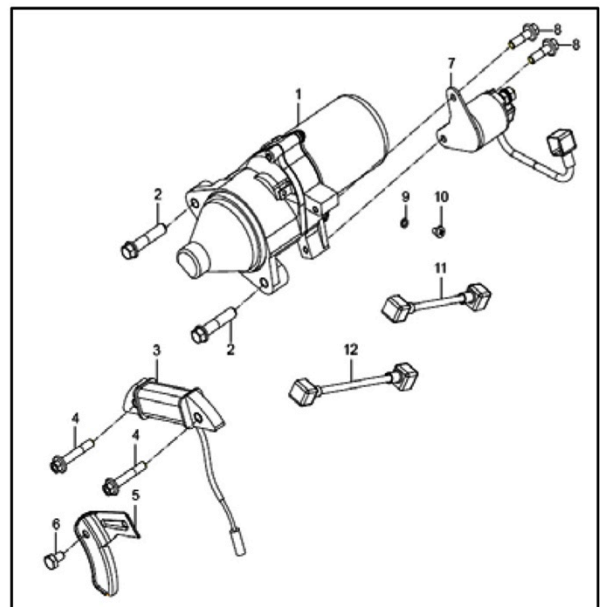
### CRANKCASE ASSEMBLY

| NO. | PARTS NO.         | DESCRIPTION             | QTY |
|-----|-------------------|-------------------------|-----|
| 1   | QJ182QDP.01-11    | Buse,locating           | 2   |
| 2   | 157.5-10          | SPACER, drain           | 2   |
| 3   | 157.5-9           | BOLT,drain              | 2   |
| 4   | QJ150FMG.5-8      | DOWEL PIN               | 2   |
| 5   | GB/T16674.1-2004  | BOLT M6X12              | 3   |
| 6   | QJ182QDP.01.04    | Sensor Assy, Fuel level | 1   |
| 7   | JF192FQH-2.01-01B | Cover ,Crankcase        | 1   |
| 8   | JF192FQH-2.01-04  | O Ring                  | 1   |
| 9   | JF192FQH-2.01-03  | OIL LEVEL STICK         | 1   |
| 10  | QJ182QDP.01.01    | OIL SEAL                | 2   |
| 11  | GB/T16674.1-2004  | BOLT M8X40              | 7   |
| 12  | JF192FQH-2.01-02  | Spacer,Crankcase        | 1   |
| 13  | GB/T276-1994      | Bearing6202             | 2   |
| 14  | GB/T276-1994      | Bearing6207             | 1   |
| 15  | QJ182QDP.01-10    | Pin                     | 1   |
| 16  | QJ182QDP.01.05    | ELECTRONIC SWITCH       | 1   |
| 17  | QJ182QDP.01-08    | Seal Gasket,rubber      | 1   |
| 18  | JF192FQH-2.01.01  | Crankcase Assy          | 1   |
| 19  | QJ182QDP.01.03    | Oil Seal                | 1   |
| 20  | GB/T16674.1-2004  | BOLT M6X25              | 2   |



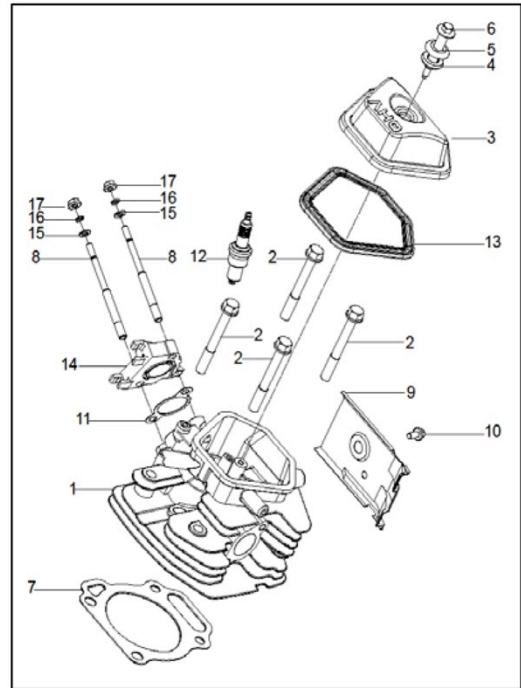
### ELECTROMOTION STARTER ASSEMBLY

| NO. | PARTS NO.          | DESCRIPTION          | QTY |
|-----|--------------------|----------------------|-----|
| 1   | QJ182FPH-3.03.01   | Starter moter        | 1   |
| 2   | GB/T16674.1-2004   | BOLT M8X35           | 2   |
| 3   | QJ182FPH-3.02.02   | Charge winding comp. | 1   |
| 4   | GB/T16674.1-2004   | BOLT M6X30           | 2   |
| 5   | QJ182FPH-3.01-01   | Press plate          | 1   |
| 6   | GB/T5789-1986      | BOLT M6X8            | 1   |
| 7   | QJ188FPH.06.02     | Relay comp.          | 1   |
| 8   | GB/T16674.1-2004   | Bolt M5X20           | 2   |
| 9   | GB/T93-1987        | SPRING WASHER 4      | 1   |
| 10  | GB/T818-2000       | SCREW M4*6           | 1   |
| 11  | QJ188FPH.06.03.01D | Red wire             | 1   |
| 12  | QJ188FPH.06.03.02E | Black wire           | 1   |



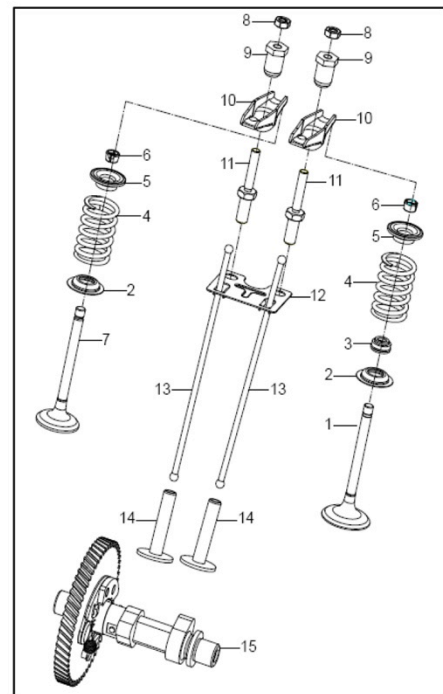
## CYLINDER HEAD ASSEMBLY

| NO. | PARTS NO.         | DESCRIPTION                | QTY |
|-----|-------------------|----------------------------|-----|
| 1   | QJ188FPH.02.01    | Cylinder Head Assy         | 1   |
| 2   | QJ182QDP.02-01    | Bolt, Cylinder Head        | 4   |
| 3   | JF188FPH.02.03    | Cover Assy, Cylinder Head  | 1   |
| 4   | QJ182QDP.02-03    | Spacer, Seal               | 1   |
| 5   | QJ182QDP.02-04    | Clamp                      | 1   |
| 6   | QJ182QDP.02-02    | Bolt                       | 1   |
| 7   | JF192FQH-2.02.03  | Spacer Assy, Cylinder Head | 1   |
| 8   | QJ182QDP.02-05    | Bolt, Intake Pipe          | 2   |
| 9   | QJ182QDP.02-06    | Cowling                    | 1   |
| 10  | GB/T16674.1-2004  | Bolt M6X12                 | 1   |
| 11  | QJ182QDP.02-07    | Spacer, Intake Pipe        | 1   |
| 12  | QJ182QDP.02.04    | Spark Plug                 | 1   |
| 13  | QJ182QDP.02.02-02 | Washer, Cylinder Head      | 1   |
| 14  | QJ188FPH.02-08    | Bakelite Washer            | 1   |
| 15  | GB/T95-2002       | Gasket 6                   | 2   |
| 16  | GB/T93-1987       | Spring Washer 6            | 2   |
| 17  | GB/T6177.1-2000   | Nut M6                     | 2   |



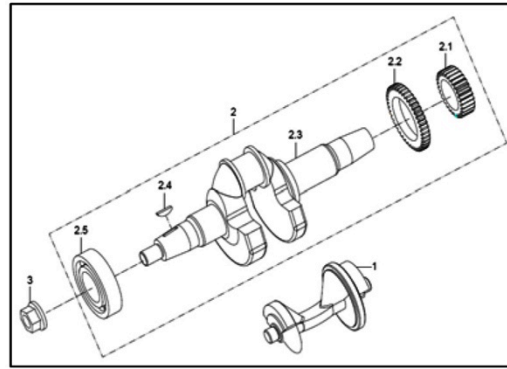
## CAMSHAFT ASSEMBLY

| NO. | PARTS NO.        | DESCRIPTION            | QTY |
|-----|------------------|------------------------|-----|
| 1   | JF190FPH.06-01B  | Intake valve           | 1   |
| 2   | QJ182QDP.03-11   | Lower retainer         | 2   |
| 3   | JF182FPH.03.03   | Oil Seal, Intake valve | 1   |
| 4   | JF182FPH.03-05B  | Valve spring           | 2   |
| 5   | JF182FPH.03-14   | Lower retainer         | 2   |
| 6   | JF182FPH.03-15   | Lock Clamp             | 2   |
| 7   | JF190FPH.06-02B  | Exhaust valve          | 1   |
| 8   | QJ166QDK.03-11   | Pivot adjusting nut    | 2   |
| 9   | QJ182QDP.03-07   | Rocker arm pivot       | 2   |
| 10  | QJ182QDP.03-06   | Valve rocker arm       | 2   |
| 11  | QJ182QDP.03-04   | Pivot bolt             | 2   |
| 12  | QJ182QDP.03.03   | Push rod guide plate   | 1   |
| 13  | JF192FQH-2.03.02 | Push rod               | 2   |
| 14  | QJ182QDP.03-01   | Valve lifter           | 2   |
| 15  | JF192FQH-2.03.01 | Camshaft comp.         | 1   |



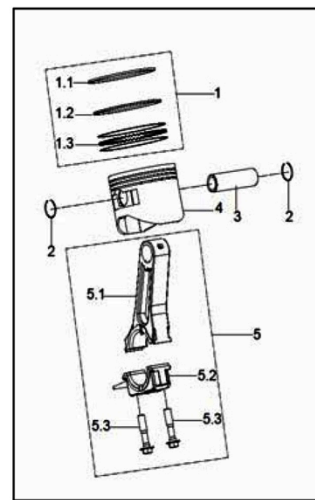
## CRANKSHAFT ASSEMBLY

| NO. | PARTS NO.           | DESCRIPTION        | QTY |
|-----|---------------------|--------------------|-----|
| 1   | QJ182QDP.04-01      | BALANCE SHAFT      | 1   |
| 2   | JF192FQH-2.04.01    | Crankshaft Assy    | 1   |
| 2.1 | QJ182QDP.04-06      | CRANKSHAFT GEAR II | 1   |
| 2.2 | QJ182QDP.04-05      | CRANKSHAFT GEAR I  | 1   |
| 2.3 | JF192FQH-2.04.01-01 | CRANKSHAFT         | 1   |
| 2.4 | QJ182QDP.04-03      | WOODRUFF KEY       | 1   |
| 2.5 | GB/T276-1994        | Bearing6207        | 1   |
| 3   | QJ182QDP.04-02      | NUT                | 1   |



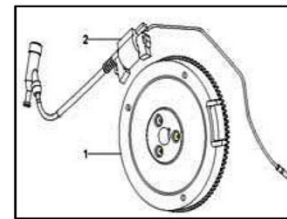
## CONNECTING ROD & PISTON

| NO. | PARTS NO.           | DESCRIPTION          | QTY |
|-----|---------------------|----------------------|-----|
| 1   | JF192FQH-2.05.01    | PISTON RING ASSEMBLY | 1   |
| 1.1 | JF192FQH-2.05.01-01 | RING 1ST             | 1   |
| 1.2 | JF192FQH-2.05.01-02 | RING 2ND             | 1   |
| 1.3 | JF192FQH-2.05.01.01 | RING SET OIL         | 1   |
| 2   | QJ182QDP.05-05      | CIRCLIP              | 2   |
| 3   | QJ188FPH.04-04      | PIN, PISTON          | 1   |
| 4   | JF192FQH-2.05-01    | PISTON               | 1   |
| 5   | JF190FPH-2.03.02    | CONNECTING ROD ASSY  | 1   |
| 5.1 | JF190FPH-2.03.02-01 | CONNECTING ROD       | 1   |
| 5.2 | QJ182QDP.05.02-02   | CONNECTING ROD CAP   | 1   |
| 5.3 | QJ182QDP.05.02-03   | CONNECTING ROD BOLT  | 2   |



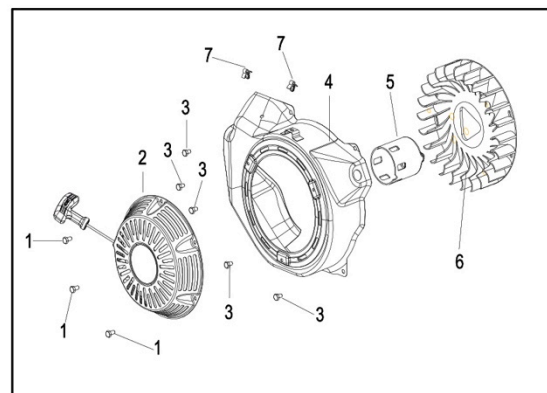
## INFLAME ASSEMBLY

| NO. | PARTS NO.        | DESCRIPTION             | QTY |
|-----|------------------|-------------------------|-----|
| 1   | QJ182FPH-3.02.01 | ROTOR ASSY              | 1   |
| 2   | QJ182QDP.07.01   | high voltage wrap, ASSY | 1   |



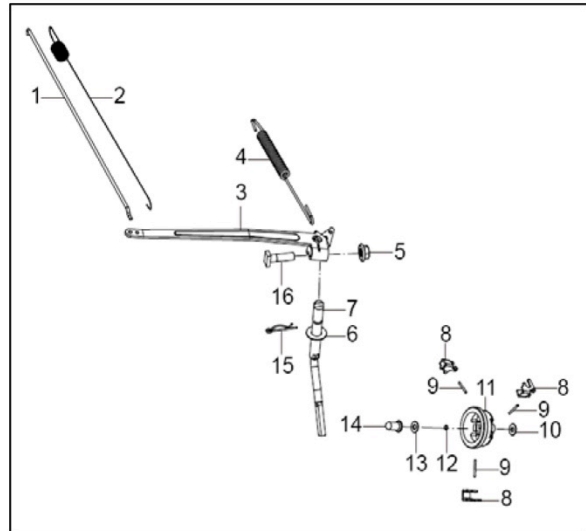
## STARTER ASSEMBLY

| NO. | PARTS NO.          | DESCRIPTION            | QTY |
|-----|--------------------|------------------------|-----|
| 1   | GB/T5789-1986      | Bolt M6X8              | 3   |
| 2   | QJ182QDP.08.02B    | Starter Cover Assy     | 1   |
| 3   | GB/T5789-1986      | Bolt M6X10             | 5   |
| 4   | QJ182QDP.08.01-01B | Cowling Assy, cylinder | 1   |
| 5   | QJ182QDP.08-01     | Starter Canister       | 1   |
| 6   | QJ182QDP.08-02     | Fan Wheel              | 1   |
| 7   | QJ182QDP.08.01-02  | Clip                   | 2   |



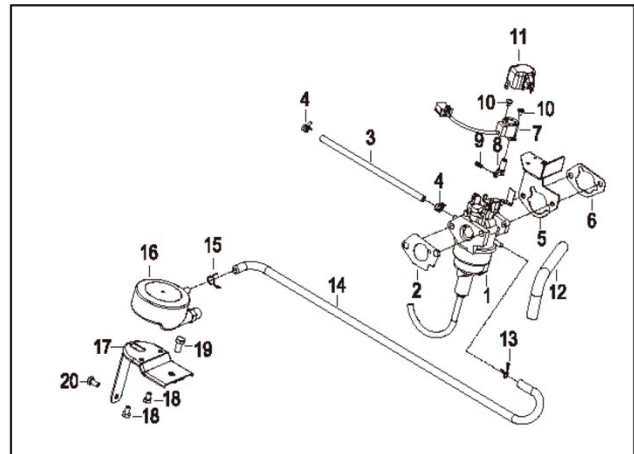
### CENTRIFUGAL TIMING IMPLEMENT ASSEMBLY

| NO. | PARTS NO.         | DESCRIPTION                  | QTY |
|-----|-------------------|------------------------------|-----|
| 1   | QJ182QDP.06-09    | Pull Pole,steel wire         | 1   |
| 2   | QJ182QDP.06-10    | Pull spring,little           | 1   |
| 3   | QJ182QDP.06-01    | Pull Pole,Timing implement   | 1   |
| 4   | QJ182QDP.06-08    | Pull spring,big              | 1   |
| 5   | GB/T6177.1-2000   | Nut M6                       | 1   |
| 6   | QJ182QDP.06-05    | Washer I                     | 1   |
| 7   | QJ182QDP.06-04    | Fork                         | 1   |
| 8   | QJ182QDP.06.01-03 | Governor weight              | 3   |
| 9   | QJ182QDP.06.01-02 | Governor weight pin          | 3   |
| 10  | QJ166QDK.06-07    | Washer III                   | 1   |
| 11  | QJ182QDP.06.01-01 | Centrifugal Timing Implement | 1   |
| 12  | QJ166QDK.01-02    | Clip                         | 1   |
| 13  | QJ168QDJ.05-08    | Washer III                   | 1   |
| 14  | QJ182QDP.06-06    | Handspike Cover              | 1   |
| 15  | QJ182QDP.06-02    | Clip                         | 1   |
| 16  | QJ182QDP.06-03    | Bolt,Square Toes             | 1   |



### CARBURETOR & CHOKE VALVE ASSEMBLY

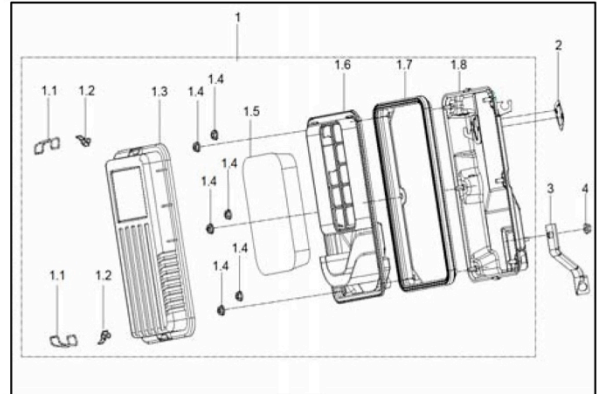
| NO. | PARTS NO.           | DESCRIPTION                                | QTY |
|-----|---------------------|--|-----|
| 1   | JF192FQH-2.10.03.01 | Carburetor Assy                            | 1   |
| 2   | QJ188FPH.05-01      | Carburetor packing                         | 1   |
| 3   | JF190FPH-2.04-01    | Hose $\phi 4.5 \times \phi 8.5 \times 600$ | 1   |
| 4   | JF168FJH-15.05-08   | Spring Clamps $\phi 8$                     | 2   |
| 5   | JF192FQH-2.10-01    | Support,Stepper Motor                      | 1   |
| 6   | QJ182QDP.11-1       | Air cleaner Packing                        | 2   |
| 7   | JF192FQH-2.10.04    | Stepper Motor                              | 1   |
| 8   | JF192FQH-2.10-02    | Connector, Choke Valve Axis                | 1   |
| 9   | JF192FQH-2.10-03    | Spring, Connector                          | 1   |
| 10  | GB/T823-1988        | Screw M4X5                                 | 2   |
| 11  | 449029982700        | Cover, Stepper Motor                       | 1   |
| 12  | QJ182QDP.02.02-03   | Breath Tube                                | 1   |
| 13  | JF182FPH.10.03-05   | Clip                                       | 1   |
| 14  | JF182FPH.10.03-03   | Gas pipe                                   | 1   |
| 15  | JF182FPH.10.03-04   | Clip                                       | 1   |
| 16  | JF192FQH-2.10.03.02 | Low Pressure Regulator Assy                | 1   |
| 17  | QJ10000TF.04.05     | Regulator Bracket                          | 1   |
| 18  | GB/T5789-1986       | Bolt M6X10                                 | 3   |
| 19  | GB/T5789-1986       | Bolt M8X16                                 | 1   |
| 20  | GB/T5789-1986       | Bolt M6X12                                 | 1   |





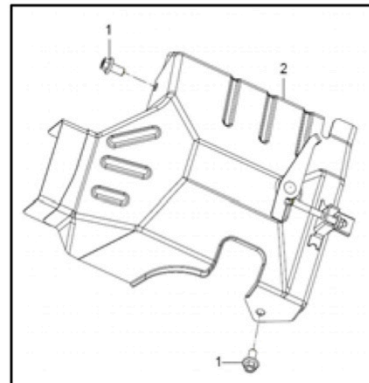
### AIRCLEANER ASSEMBLY

| NO. | PARTS NO.         | DESCRIPTION              | QTY |
|-----|-------------------|--------------------------|-----|
| 1   | JF182FPH-15.04B   | Air Cleaner Assy         | 1   |
| 1.1 | QJ182QDP.11-6     | Clip,Fixup I             | 2   |
| 1.2 | QJ182QDP.11-7     | Clip,Fixup II            | 2   |
| 1.3 | JF182FPH-15.04-01 | Air Cleaner Cover        | 1   |
| 1.4 | GB/T6177.1-2000   | NUT M5                   | 6   |
| 1.5 | QJ182QDP.11-9     | Core,Filtrate            | 1   |
| 1.6 | QJ182QDP.11-3     | Hole Board               | 1   |
| 1.7 | QJ182QDP.11-4     | Seal Gasket,             | 1   |
| 1.8 | QJ182QDP.11-5B    | Below Shell, Air Cleaner | 1   |
| 2   | QJ182QDP.11-1     | Air cleaner Packing      | 1   |
| 3   | 182FPH-2.01.02    | Air Cleaner Bracket      | 1   |
| 4   | GB/T6177.1-2000   | Nut M6                   | 1   |



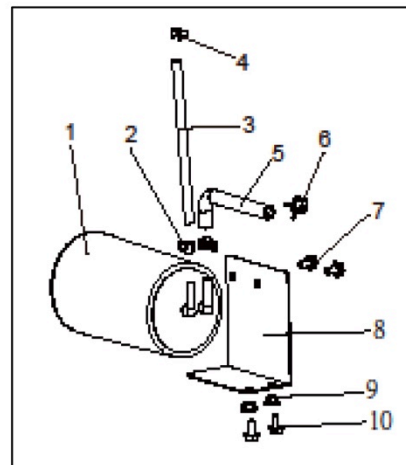
### ENGINE SPROCKET COVER

| NO. | PARTS NO.        | DESCRIPTION                    | QTY |
|-----|------------------|--------------------------------|-----|
| 1   | GB/T16674.1-2004 | BOLT M6*12                     | 2   |
| 2   | QJ182FPH-2.05.01 | Speed adjustment base assembly | 1   |



### CARBON CANISTER ASSEMBLY

| NO. | PARTS NO.         | DESCRIPTION                  | QTY |
|-----|-------------------|------------------------------|-----|
| 1   | JF182FPH-15.05.01 | Carbon Canister              | 1   |
| 2   | JF168FJH-15.05-08 | Spring Clamps $\Phi 8$       | 1   |
| 3   | JF190FPH-2.04-02  | Rubber Pipe 5* $\Phi 8$ *750 | 1   |
| 4   | JF1P64FJV-S.14-05 | Spring Clamps $\Phi 7$       | 1   |
| 5   | QJ168FJH-3.05-01  | BREATH TUBE                  | 1   |
| 6   | JF168FJH-15.05-09 | Spring Clamps $\Phi 12$      | 2   |
| 7   | GB/T5789-1986     | Bolt M6*10                   | 2   |
| 8   | QJ6500D.07-02     | Bracket, Carbon Canister     | 1   |
| 9   | GB/T6177.1-2000   | Nut M6                       | 2   |
| 10  | GB/T5789-1986     | Bolt M6*12                   | 2   |

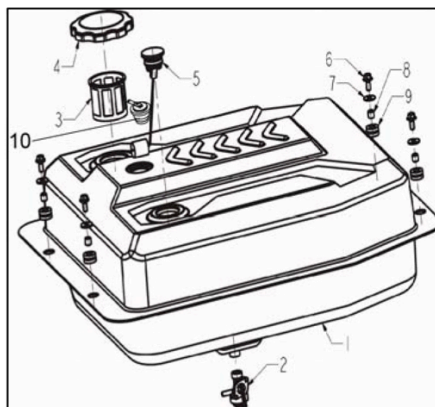






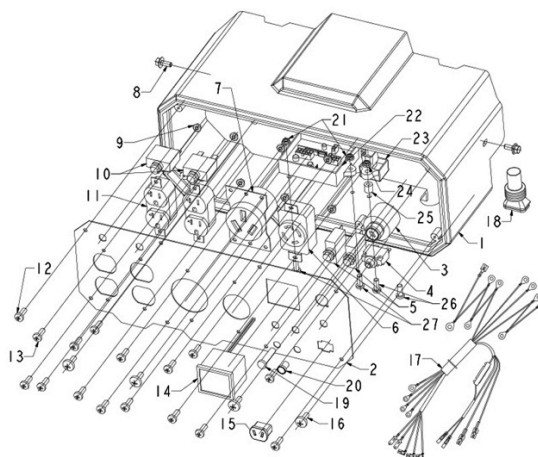
## GAS TANK ASSEMBLY

| NO. | PART NO.         | DESCRIPTION           | QTY |
|-----|------------------|-----------------------|-----|
| 1   | QJ9000.01.01A    | Fuel Tank Comp        | 1   |
| 2   | QJ6500.01.02     | Fuel Valve            | 1   |
| 3   | QJ1200IE-B.02.02 | Filtering Net         | 1   |
| 4   | JF151FEH.09.02A  | Fuel Tank Cap         | 1   |
| 5   | QJ9000.01.02     | Sender Unit           | 1   |
| 6   | GB/T5789-86      | Bolt M6*20            | 4   |
| 7   | GB/T96.2-2002    | Washer                | 4   |
| 8   | QJ2600.01-02     | Fuel Tank Rubber Hose | 4   |
| 9   | QJ2600.01-01     | Fuel Tank Rubber      | 4   |
| 10  | QJ2900.08.02A    | Overflow Valve        | 1   |



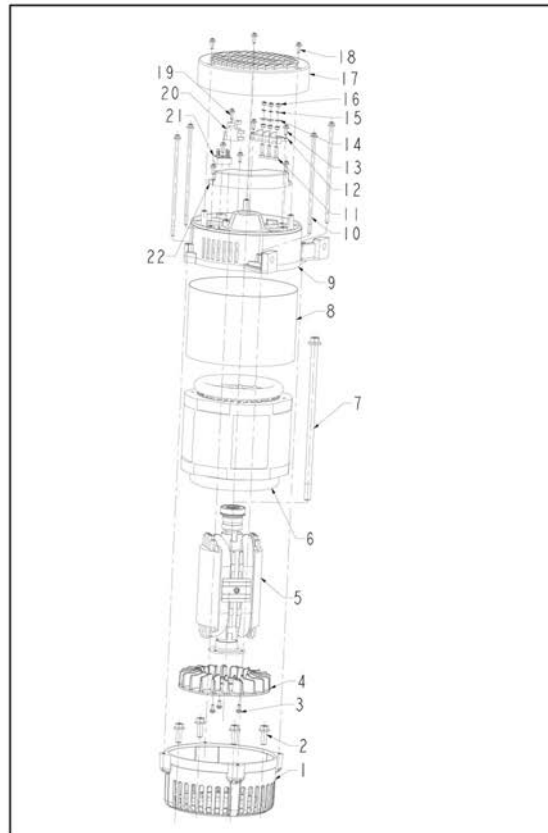
## PANEL ASSEMBLY

| NO. | PART NO.        | DESCRIPTION                               | QTY |
|-----|-----------------|---|-----|
| 1   | QJ9000.03-02    | Bottom Shell                              | 1   |
| 2   | QJ9000.02-01C   | Panel                                     | 1   |
| 3   | QJ6500B.02.02A  | Engine Switch                             | 1   |
| 4   | QJ6500.02.05    | DC Protector                              | 1   |
| 5   | QJ3500.02.03A   | Circuit Breaker 30A                       | 2   |
| 6   | QJ6500D.01.02   | 4-Pole Socket                             | 1   |
| 7   | KE4500E.02.03B  | RV Socket                                 | 1   |
| 8   | GB/T5789-1986   | Bolt M6x12                                | 2   |
| 9   | GB/T6177.1-2000 | Nut M4                                    | 8   |
| 10  | QJ2900.01.04    | Circuit Breaker 20A                       | 2   |
| 11  | QJ3200.01.04    | Double Socket                             | 1   |
| 12  | GB/T845-1985    | Screw ST4x10                              | 8   |
| 13  | GB/T818-2000    | Screw M4x12                               | 8   |
| 14  | QJ9000.02.03    | Mult Digital Meter                        | 1   |
| 15  | GFH3000L.02.07  | V Socket                                  | 1   |
| 16  | GB/T818-2000    | Screw M6x16                               | 4   |
| 17  | QJ9000.02.02C   | Cable                                     | 2   |
| 18  | QJ2600.02-04    | Flared Sheath                             | 1   |
| 19  | QJ10000.02.05   | Remote Indicator Lamp                     | 1   |
| 20  | QJ10000.02.06   | Button                                    | 1   |
| 21  | GB/T6177.1-2000 | Nut M4                                    | 2   |
| 22  | QJ10000.02.03   | Remote Receiver                           | 1   |
| 23  | QJ10000.02.04   | Rectifier                                 | 1   |
| 24  | GB/T6177.1-2000 | Nut M5                                    | 1   |
| 25  | QJ10000.02-03   | Bushing $\phi 5 \times \phi 11 \times 11$ | 1   |
| 26  | GB/T818-2000    | Screw M5x25                               | 1   |
| 27  | GB/T818-2000    | Screw M4x16                               | 2   |



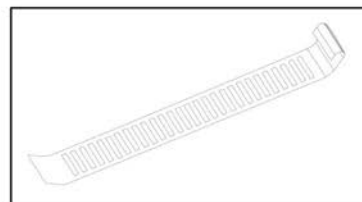
## GENERATOR

| NO. | PART NO.       | DESCRIPTION            | QTY |
|-----|----------------|------------------------|-----|
| 1   | QJ10000.03-01  | End Cover              | 1   |
| 2   | GB/T5789-1986  | Bolt M10x25            | 4   |
| 3   | GB/T9074.13-88 | Bolt M5x12             | 3   |
| 4   | QJ9000.03-01   | Impeller               | 1   |
| 5   | QJ10000.03.02  | Rotor Assy             | 1   |
| 6   | QJ10000.03.01  | Stator                 | 1   |
| 7   | GB/T5789-1986  | Bolt M10x285x1.25      | 1   |
| 8   | QJ10000.03-04  | Motor Cover            | 1   |
| 9   | QJ10000.03-02  | Motor Shell            | 1   |
| 10  | GB/T5789-1986  | Bolt M6x180            | 4   |
| 11  | GB/T5780-2000  | Bolt M5x20             | 3   |
| 12  | QJ6000.03-03   | Connector              | 1   |
| 13  | GB/T5789-1986  | Bolt M5x12             | 2   |
| 14  | GB/T95-2002    | Washer $\phi$ 5        | 3   |
| 15  | GB/T93-1987    | Spring Washer $\phi$ 5 | 3   |
| 16  | GB/T6170-2000  | Nut M5                 | 6   |
| 17  | QJ10000.03-03  | Right Cover            | 1   |
| 18  | GB/T5789-1986  | Bolt M5x8              | 4   |
| 19  | GB/T5789-1986  | Bolt M5x17             | 4   |
| 20  | QJ6000.03.01   | Brush Equipment        | 1   |
| 21  | QJ2500.03-04   | Rectifier KBPC2506     | 1   |
| 22  | QJ10000.03.06  | AVR                    | 1   |



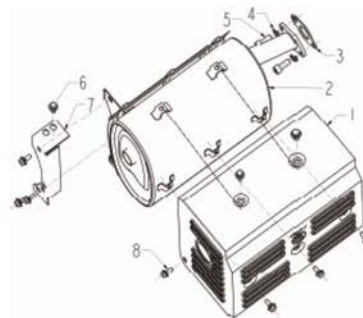
## MOTOR SHIELD

| NO. | PART NO.      | DESCRIPTION  | QTY |
|-----|---------------|--------------|-----|
| 1   | QJ6500.03-02  | Motor Shield | 1   |
| 2   | GB/T5789-1986 | Bolt M6 x 8  | 1   |



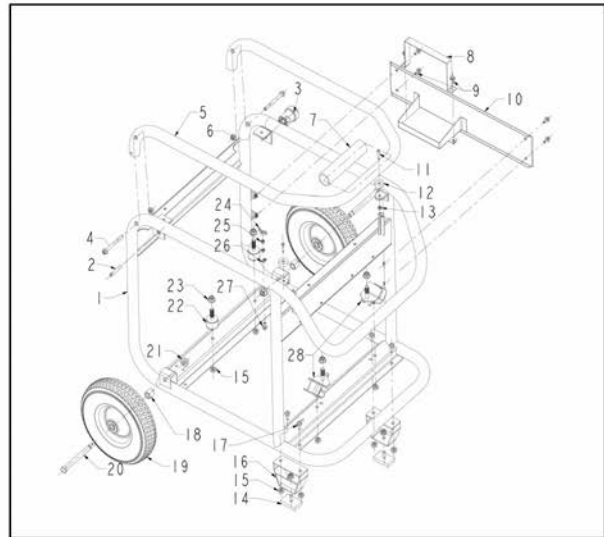
## MUFFLER ASSEMBLY

| NO. | PART NO.      | DESCRIPTION              | QTY |
|-----|---------------|--------------------------|-----|
| 1   | QJ6500D.03-01 | Muffler Cover            | 1   |
| 2   | QJ10000.05.01 | Muffler                  | 1   |
| 3   | QJ6000.07-02  | Muffler Gasket           | 1   |
| 4   | GB/T93-1987   | Spring Washer            | 2   |
| 5   | GB/T70.1-2000 | Screw M8x20              | 2   |
| 6   | GB/T5789-1986 | Bolt M8x16               | 4   |
| 7   | QJ6500.05-02  | Muffler Mounting Bracket | 1   |
| 8   | GB/T5789-1986 | Bolt M6x8                | 6   |



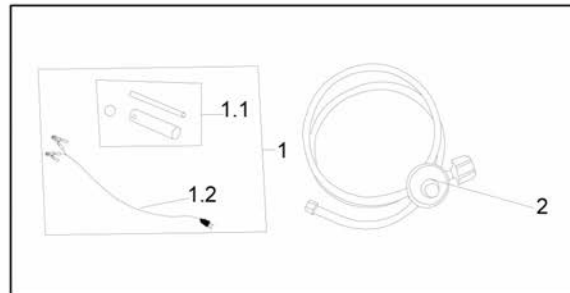
## FRAME ASSEMBLY

| NO. | PART NO.         | DESCRIPTION                  | QTY |
|-----|------------------|------------------------------|-----|
| 1   | QJ10000.06.01A   | Frame Jointing Assy          | 1   |
| 2   | QJ9000.09.04     | Handle Lock Pin              | 1   |
| 3   | QJ9000.09.03     | Quick Release PIN            | 1   |
| 4   | GB/T70.2-2008    | Blot M8x85                   | 2   |
| 5   | QJ9000.09.01     | Armrest                      | 1   |
| 6   | GB/T889.1-2000   | Nut M8                       | 2   |
| 7   | QJ9000.09-01     | Armrest Casing               | 1   |
| 8   | KE6600DE.04-01   | Battery Holder               | 1   |
| 9   | GB/T5789-1986    | Blot M6x10                   | 6   |
| 10  | QJ9000.06.03     | Battery Box Welded Com.      | 1   |
| 11  | GB/T818-2000     | Screw M5x12                  | 2   |
| 12  | QJDH3600-20      | Motor Shockproof Foot        | 2   |
| 13  | GB/T889.1-2000   | Nut M5                       | 2   |
| 14  | QJ10000.09.04    | Rubber Gasket                | 2   |
| 15  | GB/T889.1-2000   | Nut M8                       | 6   |
| 16  | QJ10000.09.03    | V-Crutch                     | 2   |
| 17  | GB/T5780-2000    | Blot M8x16                   | 4   |
| 18  | QJ9000.06-02     | Wheel Shaft Bushing          | 2   |
| 19  | KE9000E.09.01    | Wheel 10"                    | 2   |
| 20  | KE9000E.09-01A   | Wheel Axis Bolt M10x134      | 2   |
| 21  | GB/T889.1-2000   | Nut M10                      | 2   |
| 22  | QJ10000.06.02    | Damping Feet                 | 2   |
| 23  | GB/T6177.1-2000  | Nut M10x1.25                 | 4   |
| 24  | GB/T62-1988      | Butterfly Nut M6             | 1   |
| 25  | GB/T6170-2000    | Nut M6                       | 2   |
| 26  | QJ1200IE-A.03-02 | Grounding Mark $\phi 6$      | 1   |
| 27  | GB/T5789-1986    | Blot M6x16                   | 1   |
| 28  | QJ6000.08.02     | Shockproof Big Mounting Feet | 2   |

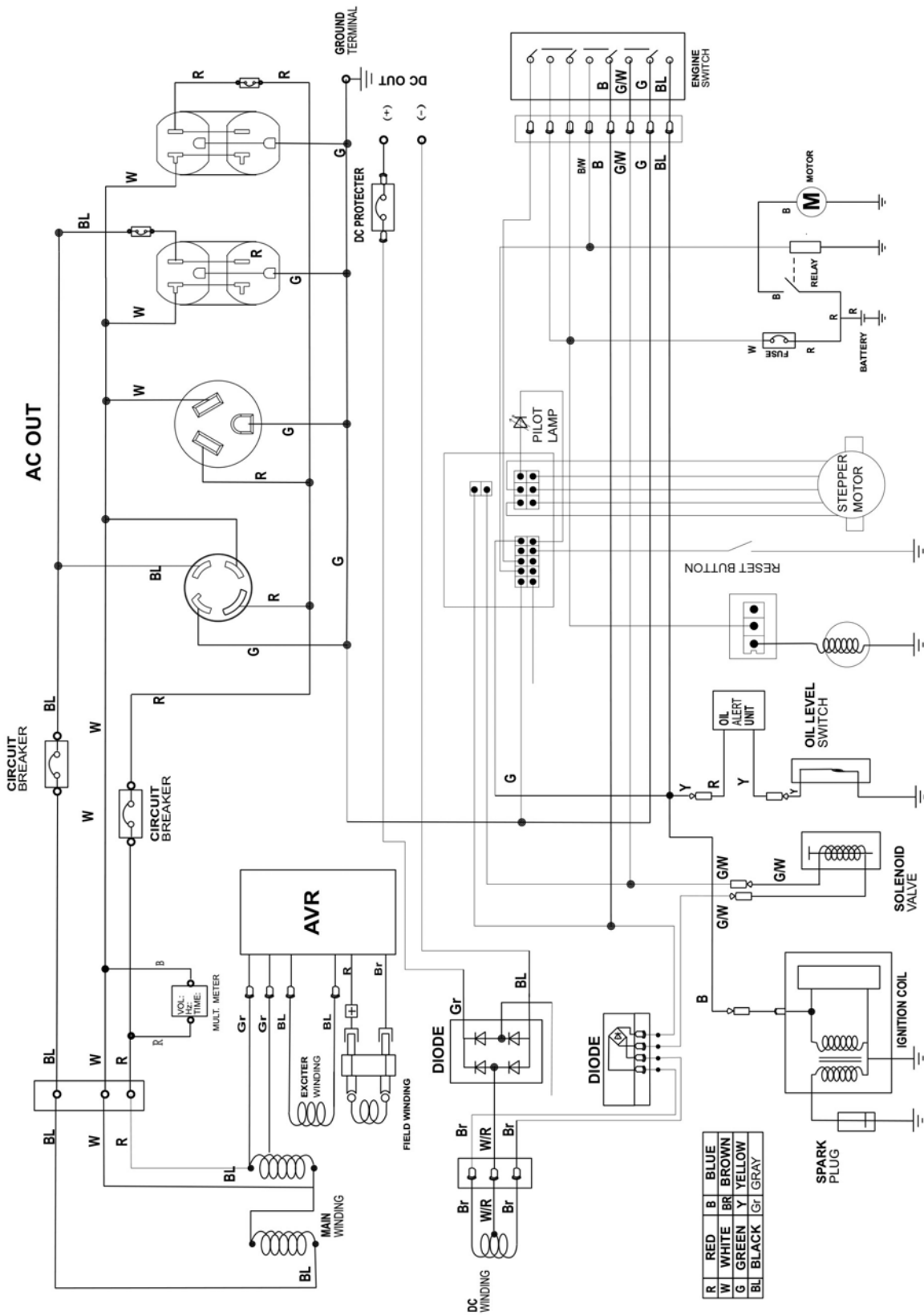


## ACCESSORIES

| NO. | PARTS NO.       | DESCRIPTION            | QTY |
|-----|-----------------|------------------------|-----|
| 1   | QJ6000.10.01    | Tool Kit               | 1   |
| 2   | QJ7500LGG.10.02 | Low Pressure Regulator | 1   |

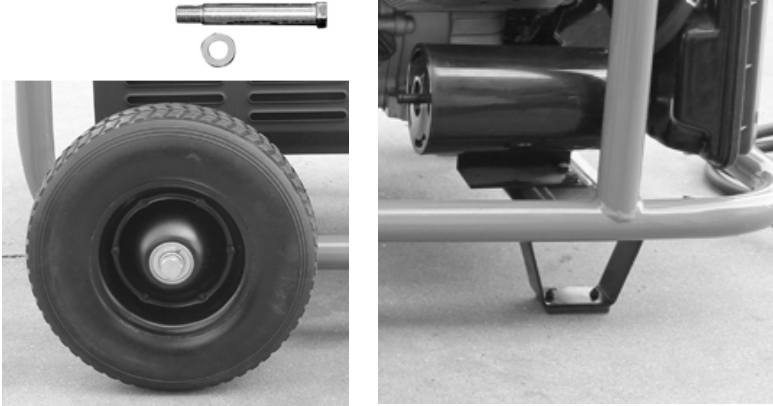


# CONTROL PANEL WIRING DIAGRAM



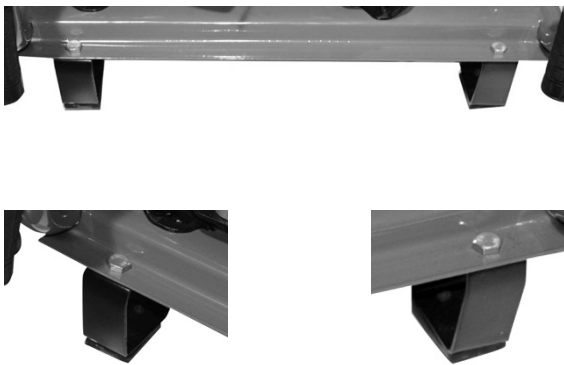
## PORTABILITY KIT INSTALLATION

The manufacturer recommends that you properly install the **Portability Kit** when using your generator. Installing the **Portability Kit** is not required for the GENTRI9K to operate, but is included with the generator purchase.



**Figure 1**

1. Locate the wheel and axle bolt and flat washer. (Figure 1).
2. Attach the wheel by aligning the frame with the wheel, and insert the flat washer first, then the axle bolt. Tighten until wheel is secure.
3. Install the mounting feet (Figure 2) onto the front of the frame. Inserting the bolts through the frame and add the mounting feet on both the left and right side.



**Figure 2**

NOTE: To transport the generator, you can use the Armrest handle. Unlock the Quick Release Pin on side of handle (Figure 3) to open/close the Armrest handle. Then insert pin on opposite side to fully secure handle. (Figure 4)



**Figure 3**



**Figure 4**

## **POWERING GENERATOR WITH NATURAL GAS**

**WARNING: Before installing fuel line consult with your local natural gas supplier to check codes and regulations in your area. Local codes will mandate correct routing of gaseous fuel line piping around gardens and other landscaping to prevent any damage.**

The information in this instruction is offered to assist you in providing the proper Natural Gas (NG) fuel supply for your engine. This information is only provided to advise you of the engine requirements and the decisions you must make. In no case should this information be interpreted to conflict with any local, state or national code. If in doubt, always follow local codes.

**WARNING: All fuel lines must be installed by a local qualified natural gas professional.**

The fuel source should be as close as possible to the outdoor operating location. This will reduce the installation cost of fuel runs. Connect the fuel supply line to the inlet on the generator using a locally approved flexible fuel line.

The pressure supplied to the generator must be 4 TO 6 OUNCES or 7 to 11 INCHES W.C. (water column). The primary regulator at the fuel supply must be capable of delivering the proper volume of fuel at this pressure. Again it is always best to have local natural gas professional advise this information.

Fuel Consumptions (Fuel Load)  
Natural Gas 160 cu. ft./hr 160,000 BTU/HR

Have your local fuel supplier install a protected fuel connection at the outside operating location. They should also install a lockable fuel shut off valve at the connection point. An approved flexible fuel line must be installed between the engine generator set and the supply line.

**WARNING: The Natural Gas fuel supply line must always be shut off when the engine is not running. Failure to do so may allow fuel to leak at the unit.**

Do not use galvanized pipe in the fuel line runs. The galvanized coating will become eroded and flake off, causing possible obstruction or damage to the regulator or fuel valve. The obstruction could cause an inoperative engine or an explosive fuel leak.

**WARNING: Be sure to always turn off the natural gas full supply to home before installation.**

Note: All pipe sizing, construction and layout must comply with Natural Fire Protection Association NFPA 54 for natural gas applications. Once the generator is installed, verify that the fuel pressure NEVER drops more than one (1) inch water column from no load to full load from the starting pressure for either fuel type, and remains within the limits of the stated specifications.

Size of pipe required for generators operating on natural gas. All pipe sizing is based on 1/2" WC pressure drop at 11" WC setting. For pressure less than 11" WC (6 oz.) consult the gas company for proper line sizing for your flow rate.

**WARNING: Do not run Natural Gas line over 200 feet to run generator**

## **USING THE WIRELESS REMOTE START KEY FOB**

### **STARTING THE GENERATOR**

- 1) Turn engine switch to ON position.
  - 2) Make sure wireless remote start key fob is pointing towards the control panel.
  - 3) Press and release the "START" button on the wireless remote start key fob. Do not hold the button down, only press the button once. The engine will attempt to start six times.
- Wireless remote start key fob will work up to 50 yards from generator.

### **STOPPING THE GENERATOR**

- 1) Turn off all connected electrical devices and the unplug them.
- 2) Allow the generator to run for several more minutes with no electrical devices connected to help stabilize the temperature of this generator.
- 3) Press the "STOP" button on the wireless remote start key fob until the engine stops.
- 4) If using LP Propane or Natural Gas, turn the tank fuel valve to the "OFF" position.
- 5) Turn the Engine Switch to the "OFF" position.

### **ATTENTION:**

While the Engine Switch is in the "ON" position, the RCM is active and waiting for a remote signal. This function requires electrical current from the battery. If the Engine Switch is left in the "ON" position for extended periods (several weeks), the battery can be completely drained.

Turn the Engine Switch to the "OFF" position disables the Remote functions, and disconnects power to the RCM.

### **RESET THE WIRELESS REMOTE START KEY FOB**

- 1) Turn engine switch to ON position.
- 2) Make sure wireless remote start key fob is pointing towards the control panel.
- 3) Push the "SET" button located at control panel continuously 3 seconds, the "LIGHT" is on green.
- 4) Push the STOP button of remote controller, and the light will FLASH one time. Push START button of remote controller, the light will flash once again.
- 5) Push the SET button located at control panel 3 seconds, and the LIGHT will turn off.
- 6) Wireless remote start key fob will start and/or stop engine.





## **EMISSION CONTROL SYSTEM WARRANTY**

### **Your Warranty Rights and Obligations**

The California Air Resources Board, U.S. EPA and Buffalo Corp are pleased to explain the Emission Control System Warranty on your 2016 model year outdoor power equipment engine.

#### **California**

In California, new spark-ignited small off-stringent anti-smog standards.

#### **Other States, U.S. Territories**

In other areas of the United States, your engine must be designed, built and equipped to meet the U.S. EPA emission standards for spark-ignited engines at or below 19 kilowatts.

#### **All of the United States**

Buffalo Corp must warrant the emission control system on your power equipment engine for the periods of time listed below provided there has been no abuse, neglect or improper maintenance of your power equipment engine. Where a warrantable condition exists, Buffalo Corp will repair your power equipment engine at no cost to you including diagnosis, parts and labor.

Your emission control system may include parts such as: carburetors or fuel injection system, ignition system, catalytic converters, fuel tanks, valves, filters, clamps, connectors, and other associated components. Also, included may be hoses, belts, connectors, sensors, and other emission-related assemblies.

#### **Manufacturer's Warranty Coverage**

The emission control system is warranted for two years. If any emissions-related part on your engine is defective, the part will be repaired or replaced by Buffalo Corp.

#### **Owner's Warranty Responsibility**

As the power equipment engine owner, you are responsible for the performance of the required maintenance listed in your owner's manual. Buffalo Corp recommends that you retain all receipts covering maintenance on your power equipment engine, but Buffalo Corp cannot deny warranty solely for the lack of receipts or for your failure to ensure the performance of all scheduled maintenance. As the power equipment engine owner, you should however be aware that Buffalo Corp may deny your warranty coverage if your power equipment engine or a part has failed due to abuse, neglect, improper maintenance or unapproved modifications. You are responsible for presenting your power equipment engine to distribution center or service center authorized by Buffalo Corp as soon as the problem exists. The warranty repairs should be completed in a reasonable amount of time, not to exceed 30 days. If you have any questions regarding your warranty rights and responsibilities, you should contact a customer service representative at 1-866-460-9436.

#### **DEFECTS Warranty Coverage**

Adopted by the Air Resources Board, Buffalo Corp warrants to the ultimate purchaser and each subsequent purchaser that the small off-road engine (SORE) (1) has been designed, built and equipped so as to conform with all applicable regulation; and (2) is free from defects in materials and workmanship that cause the failure of a warranted part to conform with those regulations as may be applicable to the terms and conditions stated below. (a) The warranty period begins on the date the engines is delivered to an ultimate purchaser or first placed into service. The warranty period is two years. (b) Subject to certain conditions and exclusions as stated below, the warranty on emissions related parts is as follows:

(1) Any warranted part that is not scheduled for replacement as required maintenance in your Owner's Manual is warranted for the warranty period stated above. If the part fails during the period of warranty coverage, the part will be repaired or replaced by Buffalo Corp according to Subsection (4) below. Any such part repaired or

replaced under warranty will be warranted for the remainder of the period.

(2) Any warranty part that is scheduled only for regular inspection in your period stated above. Any such part repaired or replaced under warranty will be warranted for the remaining warranty period.

(3) Any warranted part that is scheduled for replacement as required maintenance in your Owners Manual is warranted for the period of time before the first scheduled replacement date for that part. If the part fails before the first scheduled replacement, the part will be repaired or replaced by Buffalo Corp. according to the Subject (4) below. Any such part repaired or replaced under warranty will be warranted for the remainder of the period prior to the first scheduled replacement point for the part.

(4) Repair or replacement of any warranted part under the warranty provisions herein must be performed at a warranty station at no charge to the owner.

(5) Notwithstanding the provisions herein, warranty services or repair will be provided at all of our distribution centers that are franchised to service the subject engines.

(6) The engine owner must not be charged for diagnostic labor that leads to the determination that a warranted part is in fact defective, provided that such diagnostic work is performed at a warranty station.

(7) Buffalo Corp. is liable for damages to other engine components proximately caused by a failure under warranty of any warranted part.

(8) Throughout the engine warranty period stated above, Buffalo Corp. will maintain a supply of warranted parts sufficient to meet the expected demand for such parts.

(9) Any replacement part may be used in the performance of any warranty maintenance or repairs and must be provided without charge to the owner. Such use will not reduce the warranty obligations of Buffalo Corp.

(10) Add-on or modified parts that are not exempted by the Air Resources Board may not be used. The use of any non-exempted add-on or modified parts by the ultimate purchaser will be grounds for disallowing a warranty claims. Buffalo Corp will not be liable to warrant failures of warranted parts caused by the use of a non-exempted add-on or modified part.

(11) The manufacturer issuing the warranty shall provide any documents that describe that manufacturer's warranty procedures or policies within five working days of request by the Air Resources Board.

#### **EMISSION WARRANTY PARTS LIST**

(1) Fuel Metering System:

(a) Gasoline carburetor assembly and its internal components

(b) Carburetor gaskets

(c) Fuel line

(d) Clamps

(e) Fuel tank

(f) Fuel line fittings

(g) pressure regulator (if equipped)

(h) Mixer assembly and its internal components (if equipped)

(2) Air induction system including: (a) Intake pipe/manifold

(b) Air cleaner

(3) Ignition system including: (a) Spark plug (b) Ignition coil

(4) Catalytic muffler assembly including: (a) Muffler gasket (b) Exhaust manifold (c) Catalytic converter if available

(5) Crankcase breather assembly including (a) Breather connection tube

(6) Fuel tank evaporative emissions control system including:

(a) Purge valves (b) Carbon canister (c) canister Mounting Brackets (d) Fuel Cap (e) Fuel Tank

(7) Miscellaneous items used in above systems including: (a) Switches (b) Hoses, belts connectors, and assemblies

(8) Air injection system (a) Pulse valve

201605