

# ITEM # CKNPLKR

## Chicken Feather Plucker Assembly & Operating Instructions



**READ ALL INSTRUCTIONS AND WARNINGS BEFORE USING THIS PRODUCT.**

This manual provides important information on proper operation & maintenance. Every effort has been made to ensure the accuracy of this manual. These instructions are not meant to cover every possible condition and situation that may occur. We reserve the right to change this product at any time without prior notice.

**IF THERE IS ANY QUESTION ABOUT A CONDITION BEING SAFE OR UNSAFE, DO NOT OPERATE THIS PRODUCT!**

**HAVE QUESTIONS OR PROBLEMS? CONTACT CUSTOMER SERVICE.**

If you experience a problem or need parts for this product, call customer service at **1-636-532-9888**, Monday-Friday, 8 AM - 4 PM Central Time. A copy of the sales receipt is required.

**FOR CONSUMER USE ONLY – NOT FOR PROFESSIONAL USE.**

**KEEP THIS MANUAL, SALES RECEIPT & APPLICABLE WARRANTY FOR FUTURE REFERENCE.**

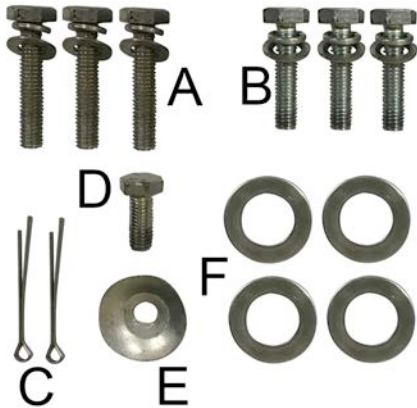
# SPECIFICATIONS

Power Type: Electric  
 120v / 550 Watts / 5 Amps  
 Rotational Speed: 300 RPM  
 114 Fingers  
 2 inch Rubber Fingers  
 Removable Stainless Steel Tub with Irrigation Ring  
 Hardware: Zinc Coated  
 Material Grade: 8.8 mm  
 6 Ft. Power Cord with GFCI  
 Includes Safety Stop Feature  
 Not for Commercial Use  
 Food Grade Stainless Steel Tub  
 Two x 5 inch wheels  
 Tub measures 14 inches high  
 Tub measures 16 inches wide  
 Tub opening measures 11.25 inches  
 Assembled size: 30.5" H x 27" W x 22" D

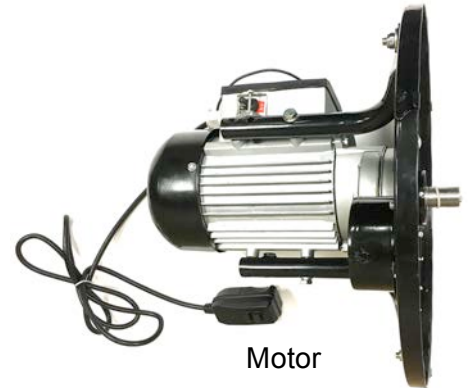
This unit can accommodate one chicken, approx. 8 lbs.



# PACKAGE CONTENTS



A: Long Bolt w/washer (x 3)  
 B: Medium Bolt w/washer (x 3)  
 C: Cotter Pin (x 2)  
 D: Short Bolt  
 E: Domed Washer  
 F: Washers (x 4)



Motor



Tub



G: Support Leg  
 H: Support Leg for Wheel (x 2)  
 I: Wheels (x 2)

## IMPORTANT SAFETY INSTRUCTIONS

### **WARNING**

Read and obey all warning labels attached to the unit:

1. KEEP HANDS, LONG HAIR, LOOSE OBJECTS, AND LOOSE CLOTHING AWAY FROM MOVING PARTS
2. WEAR SAFETY GOGGLES DURING OPERATION
3. DO NOT OVERLOAD MACHINE
4. KEEP CHILDREN AWAY FROM WORK AREA. THIS IS NOT A TOY
5. NEVER PUT LIVE POULTRY INTO THE MACHINE

### **DANGER**

KEEP ELECTRICAL CORDS SUSPENDED ABOVE SURFACES THAT COLLECT WATER. THIS DEVICE USES ELECTRICITY AND WATER TO EFFICIENTLY AND EFFECTIVELY PLUCK BIRDS. TAKE NOTE OF WHERE THE WATER IS POOLING AND KEEP ELECTRICAL CONNECTIONS AWAY FROM POOLS OF WATER. ELECTRICAL CONNECTIONS AND CORDS SHOULD NEVER BE SUBMERGED.

### **WARNING**

KEEP HANDS CLEAR OF THE MOVING PARTS. NEVER PUT HANDS OR ANY OTHER BODY PARTS BELOW THE TOP OF THE PLANE OF THE PLUCKING TUB WHILE THE PLUCKER IS RUNNING.

### **DANGER**

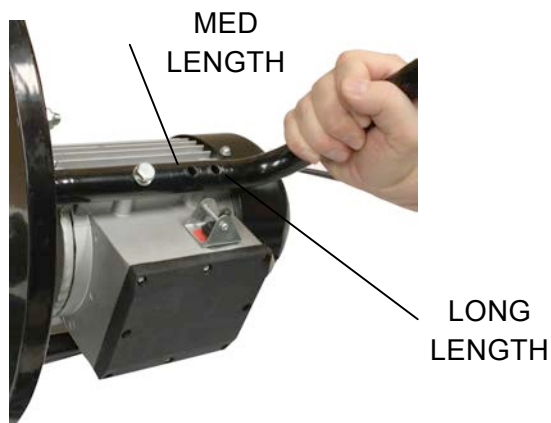
ELECTRICAL SHOCK HAZARD. THIS UNIT IS EQUIPPED WITH A GFCI (GROUND-FAULT CIRCUIT INTERRUPTER) THAT PROTECTS THE OPERATOR. NEVER TAMPER WITH, DISABLE, OR REMOVE THE GFCI.

### **DANGER**

NEVER OPERATE MACHINE WITHOUT THE PLUCKING TUB IN PLACE, AS BODY PARTS CAN GET WRAPPED BETWEEN THE FEATHER PLATE AND THE FEATHER PAN. A SAFETY PROXIMITY SWITCH DOES NOT ALLOW OPERATION WITHOUT THE TUB. DO NOT DISABLE THIS SWITCH. IF SWITCH DOES NOT STOP UNIT OPERATION WHEN TUB IS REMOVED FROM FEATHER PAN, REPLACE SWITCH.

## ASSEMBLY INSTRUCTIONS

Identify all parts before assembly.



Place motor on tabletop, and slide legs into brackets. Use the LONG length bolt at the bottom, and use the MEDIUM length bolt at the top.

Use a 13mm and 14mm socket wrench to secure each leg. Do not overtighten.

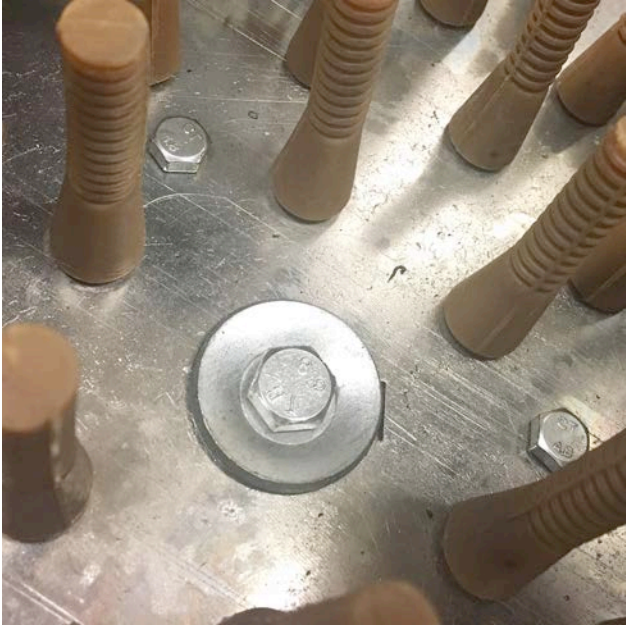


Attach two wheels, and insert cotter pins to secure each wheel to leg brace.



Attach tub to the feather pan, then secure with the three buckle clamps and carabiners.





Secure tub with domed washer and short bolt.



Before use, make sure all bolts are securely tightened and buckle clamps are secure.



When you are ready to begin, insert the plug into an outlet. Then press the RESET button.



Turn the power switch to the ON position. (Use the OFF power switch when the job is completed.)



If you overload the motor, the unit will shut off automatically. Press the circuit RESET button to restart the motor.

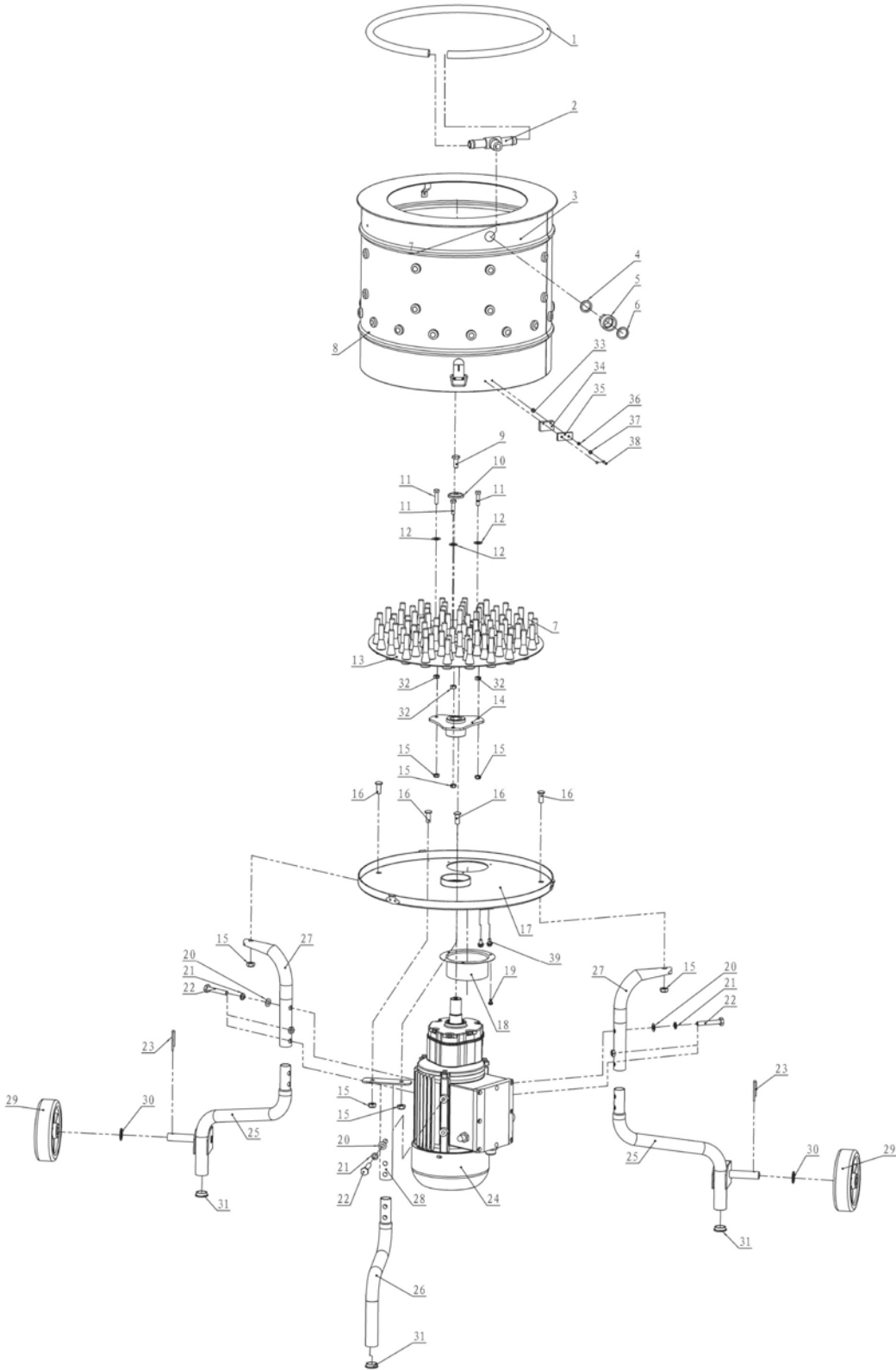
## **OPERATION INSTRUCTIONS**

1. First, prepare your chicken(s) by scalding them in a separate pot of hot water. Water should be about 140-150 degrees temperature. Wear protective rubber gloves while handling the chickens. Pull chickens in and out, allowing water to penetrate the skin. You may choose to add dish soap into the scalding water. This solution helps break down oil within the skin, allowing the feathers to pull out easily. (Waterfowl and turkey can also be used in the unit. However, they may take more time as they require more soap in the scald water.)
2. Attach the water hose to the irrigation ring, and turn on the water. Turn the unit on, then drop one chickens into the tub. Allow the tub to rotate until the feathers have been removed from the chicken, approx. 15 seconds.
3. Turn off the unit, then remove the bird. If you are finished using the unit, you can leave the water running to flush out the feathers into the lower plate. Remove the tub to fully clean and remove all feathers.
4. Remember to only use the unit outdoors. Keep it covered when not in use.

## **MAINTENANCE**

1. Use a solution of bleach and water to clean the unit after each use.
2. Turn the unit on, and run the bleach and water solution into the unit. Turn the water off and remove the tub and feather pan, eliminate all feathers from the unit.
3. Spray the unit a final time with clear water once all debris has been removed.
4. Once a year, depending on usage, you may choose to grease the shaft with food grade grease.

# PARTS DIAGRAM



## PARTS LIST

<b>ITEM NO.</b>	<b>Descriptions</b>	<b>Quantity</b>
<b>1</b>	Water hose	1
<b>2</b>	Fitting tee	1
<b>3</b>	Assembled drum	1
<b>4</b>	O-ring	1
<b>5</b>	Copper fitting	1
<b>6</b>	O-ring	1
<b>7</b>	Rubber finger	114
<b>8</b>	Buckle clamp	3
<b>9</b>	M8 Bolt	1
<b>10</b>	Flat washer	1
<b>11</b>	Bolt	3
<b>12</b>	Flat washer	3
<b>13</b>	Finger plate	1
<b>14</b>	Connecting plate	1
<b>15</b>	Lock nut	3
<b>16</b>	Screw	4
<b>17</b>	Feather pan	1
<b>18</b>	Feather chute	1
<b>19</b>	Screw	3
<b>20</b>	Flat washer	9
<b>21</b>	Elastic washer	9
<b>22</b>	Bolt	9
<b>23</b>	C-clip	2
<b>24</b>	Motor assembly	1
<b>25</b>	Left leg tube	1
<b>26</b>	Right leg tube	1
<b>27</b>	Fixing tube for leg (A)	2
<b>28</b>	Fixing tube for leg (B)	1
<b>29</b>	Wheel	2
<b>30</b>	Big flat washer	2
<b>31</b>	Plastic insert	3
<b>32</b>	Nut	3
<b>33</b>	Nut	2
<b>34</b>	Safety switch	1
<b>35</b>	Plate for safety switch	1
<b>36</b>	Flat washer	2
<b>37</b>	Elastic washer	2
<b>38</b>	Screw	2



2019/03