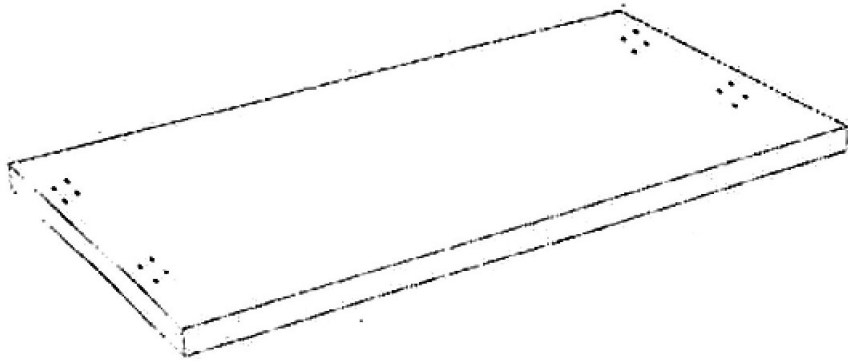


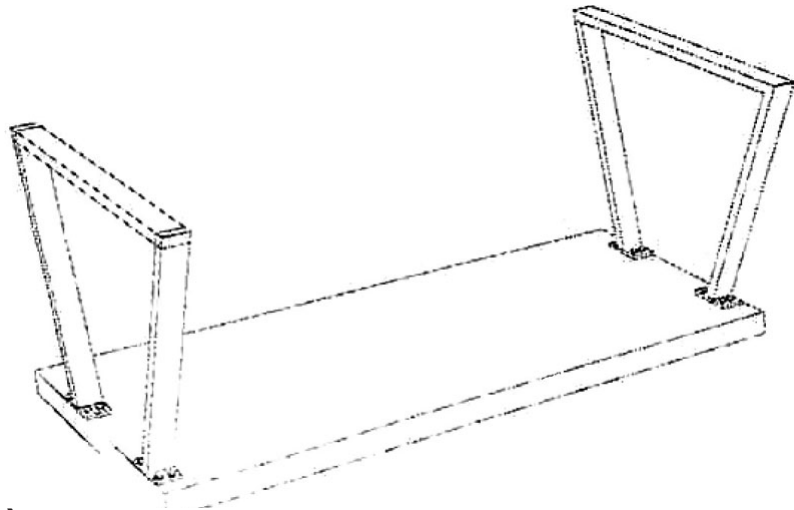
ITEM # SWB45

BENCH ASSEMBLY

Identify all components before assembly. Do not tighten hex bolts until table has been completely assembled. Do not overtighten.



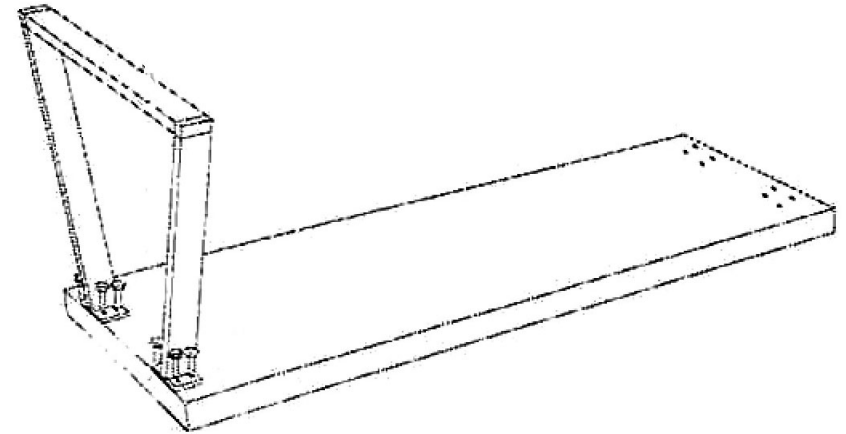
1) Lay bench on soft flat surface to prevent scratches. Position the bench so the bottom surface is visible.



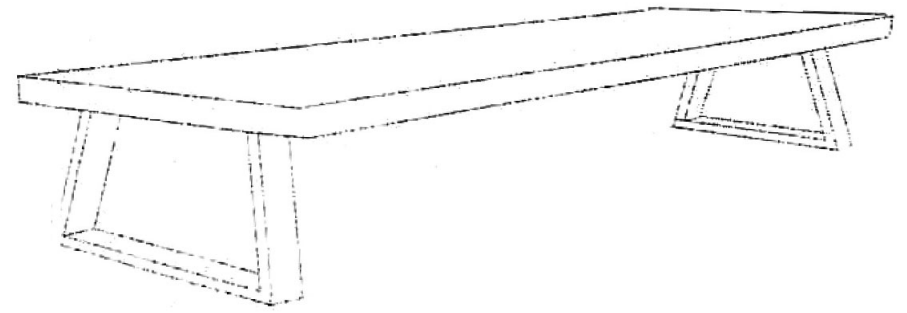
3) Position the remaining leg at opposite end. Secure each side with 4 hex bolts per leg.

COMPONENTS		
#1)	TOP	1 PIECE
#2)	LEGS	2 PIECES
#3)	HEX KEY	1 PIECE
#4)	HEX BOLTS	16 PIECES

WEIGHT CAPACITY
Bench = 400 Lbs



2) Place one set of legs at end of bench. Secure each side with 4 hex bolts per leg.



4) Securely tighten all hex bolts. Rotate bench.