

MHVSS7

7 Lb. Capacity Vertical Sausage Stuffer

INSTRUCTION MANUAL



READ ALL INSTRUCTIONS AND WARNINGS BEFORE USING THIS PRODUCT.

This manual provides important information on proper operation & maintenance. Every effort has been made to ensure the accuracy of this manual. These instructions are not meant to cover every possible condition and situation that may occur. We reserve the right to change this product at any time without prior notice.

**IF THERE IS ANY QUESTION ABOUT A CONDITION BEING SAFE OR UNSAFE,
DO NOT OPERATE THIS PRODUCT!**

DO NOT RETURN THIS PRODUCT TO THE RETAILER - CONTACT CUSTOMER SERVICE.

If you experience a problem, have questions or need parts for this product, call Customer Service at 1-888-287-6981, Monday-Friday, 8 AM - 4 PM Central Time. A copy of the sales receipt is required.

FOR CONSUMER USE ONLY – NOT FOR PROFESSIONAL USE.

KEEP THIS MANUAL, SALES RECEIPT & APPLICABLE WARRANTY FOR FUTURE REFERENCE.

IMPORTANT SAFETY INSTRUCTIONS

WARNING

Keep your work area clean and well lit. Cluttered work benches and dark work areas may cause accidents or injury.

CAUTION

Do not force. Use the correct sausage stuffer for your application. The correct sausage stuffer will do the job better and safer at the rate for which it is designed.

Store idle items out of reach of children and other untrained persons. Kitchen items are dangerous in the hands of untrained users.

FEATURES:

- Heavy-Duty, 1-Speed Hand-Cranked Piston
- Vertical Design Handles Large Quantities Of Sausage Mix
- Includes Four Sausage Funnels (1 1/2", 1 1/4", 3/4", and 1/2")
- Stainless Steel Canister Tilts For Easily Clean Up
- 7 Lb. Capacity

COMPONENTS:

- 1) Sausage Stuffer Funnel
- 2) Screw Ring
- 3) Stainless Steel Food Hopper
- 4) Piston
- 5) Handle
- 6) Base



OPERATION

NOTE

Unpack product from package and review contents. Keep all packaging until product has been reviewed.

Before and after use, wash all parts with warm soapy water.

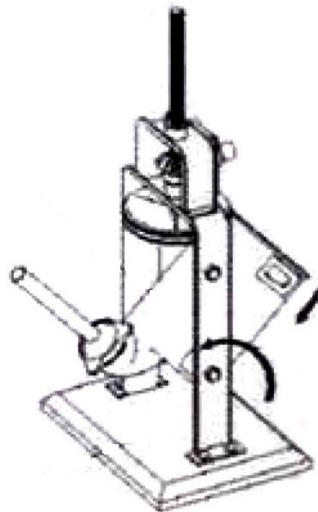
1) Install Stuffer Funnel. Choose the 1.5" For Lunch Meat
1 1/4" For Sausage, 3/4" For Bratwurst, or 1/2" For Snack Sticks.
Attach the appropriate Casing to the funnel. (not included).

2) Install Handle

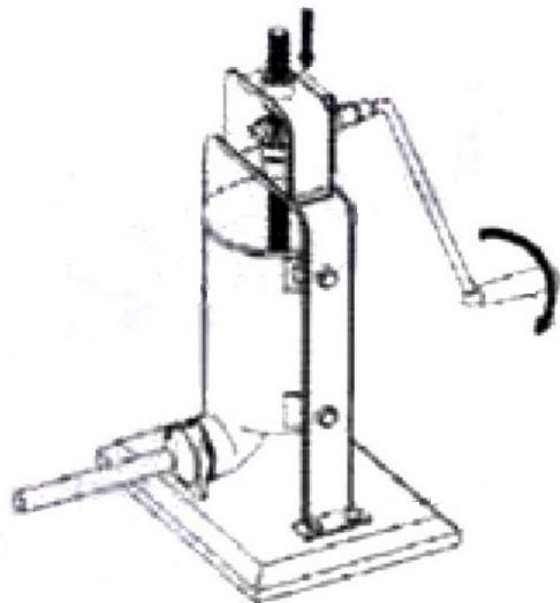
3) The Food Hopper pivots from the bottom to the rear of the stuffer to allow you to fill it with the mixture of your choice

4) Insert Meat Mixture

5) Once filled, restore the Food Hopper to its upright position and snap it in place. NOTE: The Food Hopper can only pivot if the Piston (4) is raised completely clear of the inside of the cylinder. If lowered to the horizontal position, the Food Hopper can be removed for cleaning or servicing.



1. Rotate the Handle to force the mixture down the cylinder into the sausage stuffer of your choice .
2. When finished stuffing sausages, clean all parts with warm, soapy water and store under cover.



INSTALLING OR REPLACING THE FUNNEL ATTACHMENT

This Sausage Stuffer includes four funnels. To install or replace a funnel:

1. Unscrew the Screw Ring from the bottom of the food hopper.
2. Insert desired funnel into Screw Ring then fasten both to the food hopper.

MAINTENANCE

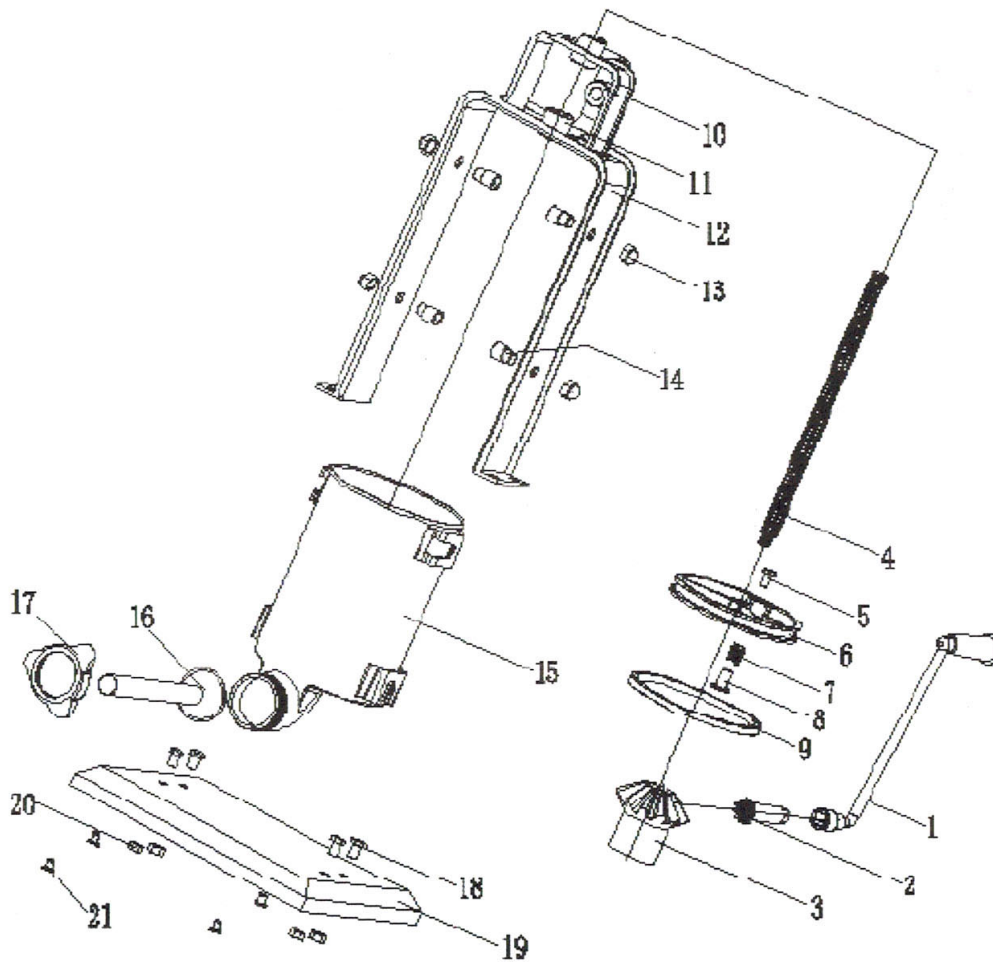
CAUTION

Applying excessive force can damage the piston and the Food Hopper, decrease the life and increase the wear on this product.

Some chemicals can damage the product. Do not use harsh chemicals such as gasoline, carbon tetrachloride, paint thinner, etc. to clean this product. Use warm soapy water only.

Before using for the first time, wash all its parts with warm, soapy water and do so after every use. Lubricate all moving parts. Check nuts and screws to make sure they are tight before and after use. Store under cover.

PARTS DIAGRAM



SN	Name	Quantity	SN	Name	Quantity
1	Handcrank	1	12	Support Frame	1
2	umbrella gear Small	1	13	Nut	4
3	umbrella gear Big	1	14	S/S Inner hexagram screw	4
4	Thread rod	1	15	S/S Cylinder	1
5	S/S Crossing bolt	1	16	Nozzles	4
6	Pistol/plunger	1	17	Trefoil nut (locking nut)	1
7	Spring	1	18	S/S Inner hexagram screw	4
8	Exhaust pin	1	19	Bottom plate	1
9	Gasket	1	20	Inner hexagram nut	4
10	Bush A	1	21	Rubber Foot	4
11	Bush C	1			

201508

MHVSS7 Vertical Sausage Stuffer