

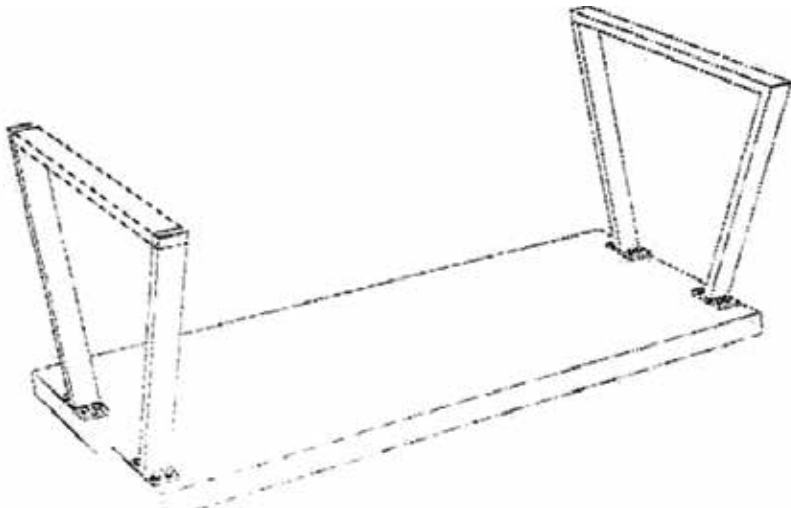
# ITEM # HCDTSET

## TABLE ASSEMBLY (ITEM # SWDT63)

Identify all components before assembly. Do not tighten hex bolts until table has been completely assembled. Do not overtighten.



**1)** Lay tabletop on soft flat surface to prevent scratches. Position the tabletop so the bottom surface is visible.

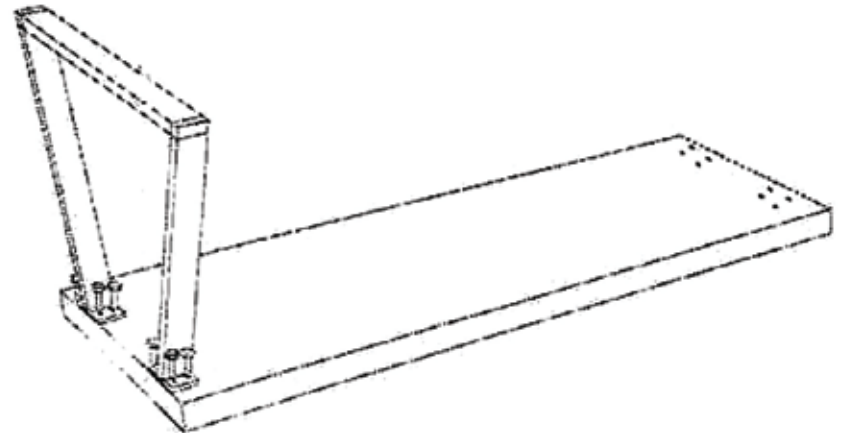


**3)** Position the remaining leg at opposite end. Secure each side with 4 hex bolts per leg.

### COMPONENTS

#1)	TOP	1 PIECE
#2)	LEGS	2 PIECES
#3)	HEX KEY	1 PIECE
#4)	HEX BOLTS	16 PIECES

<b>WEIGHT CAPACITY</b> TABLE : 330 LBS
---



**2)** Place one set of legs at end of tabletop. Secure each side with 4 hex bolts per tabletop.



**4)** Securely tighten all hex bolts. Rotate tabletop.

# ITEM # HCDTSET CHAIR ASSEMBLY (ITEM # SWDCB4)

Identify all components before assembly.



CHAIR



SEAT



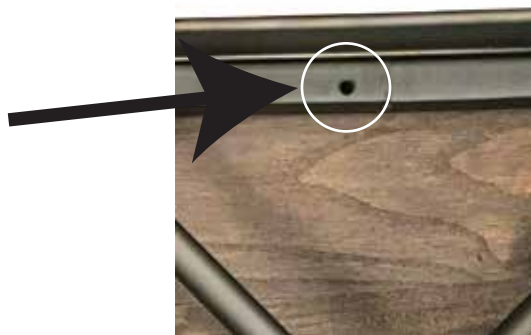
SCREWS

COMPONENTS FOR EACH CHAIR		
#1)	CHAIR	1 PIECE
#2)	WOOD SEAT	1 PIECE
#3)	SCREWS	14 PIECES

<b>WEIGHT CAPACITY</b> CHAIR : 330 LBS
---

- 1) Locate chair, seat and pack of 14 screws. You will need a Phillips screwdriver or a drill with a Phillips drill bit.

- 2) Turn chair upside down and position wood seat.



- 3) Loosely attach all screws. When all 14 screws have been attached and seat is secure, tighten all remaining screws.



- 4) Repeat assembly for remaining chairs.