

# FPT660

## FOLDING PLATFORM CART 660 LB MAX CAPACITY ASSEMBLY INSTRUCTIONS



### **READ ALL INSTRUCTIONS AND WARNINGS BEFORE USING THIS PRODUCT.**

This manual provides important information on proper operation & maintenance. Every effort has been made to ensure the accuracy of this manual. These instructions are not meant to cover every possible condition and situation that may occur. We reserve the right to change this product at any time without prior notice.

### **IF THERE IS ANY QUESTION ABOUT A CONDITION BEING SAFE OR UNSAFE, DO NOT USE THIS PRODUCT!**

### **DO NOT RETURN THIS PRODUCT TO THE RETAILER - CONTACT CUSTOMER SERVICE.**

If you experience a problem, have questions or need parts for this product, visit our website <http://www.buffalotools.com> or call Customer Service at **1-888-287-6981, Monday-Friday, 8 AM - 4 PM Central Time**. A copy of the sales receipt is required.

### **KEEP THIS MANUAL, SALES RECEIPT & APPLICABLE WARRANTY FOR FUTURE REFERENCE**

**WARNING!** Any service or repairs to the Folding Platform Truck should be performed by a qualified service technician. Improper repairs or service could result in equipment failure or personal injury. The hydraulic cylinder is not user serviceable.

## WARNING

This product is not a toy. Do not allow children to play with or near this item.

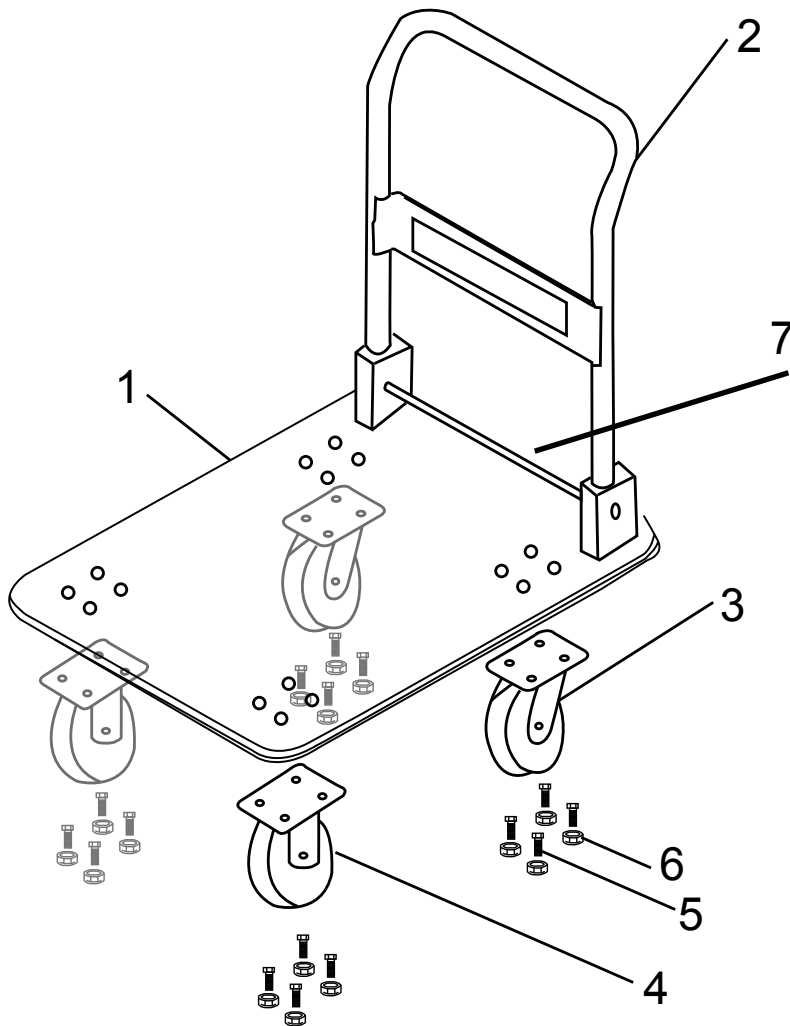
Do not exceed weight capacity. **Be aware of dynamic loading!** Sudden load movement may briefly create excess load causing product failure.

Use as intended only. Inspect before every use; do not use if parts are loose or damaged.

**Caster Placement– (2) rigid wheels in front and (2) swivel caster wheels in back. This configuration turns easily and tracks straight.**

HANDLE WILL FOLD FORWARD FOR EASY STORAGE. UNFOLD HANDLE FOR PROPER USE.

## ASSEMBLY REQUIRED

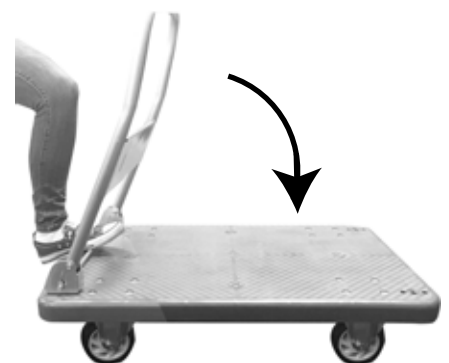


- |                              |           |
|------------------------------|-----------|
| 1. Platform                  | 1 piece   |
| 2. Handle                    | 1 piece   |
| 3. Swivel wheels             | 2 pieces  |
| 4. Fixed wheels              | 2 pieces  |
| 5. Screw $\varnothing$ 10*47 | 16 pieces |
| 6. Nut $\varnothing$ 10      | 16 pieces |
| 7. Tension Rod               | 1 piece   |

## Folding For Storage



- 1. Place Foot On Tension Rod And Press Down Firmly**



- 2. Rotate Handle Forward And Fold Down To Platform**