

EISM

Electric Ice Shaving Machine

Assembly & Operating Instructions



READ ALL INSTRUCTIONS AND WARNINGS BEFORE USING THIS PRODUCT.

This manual provides important information on proper operation and maintenance. Every effort has been made to ensure the accuracy of this manual. We reserve the right to change this product at any time without prior notice.

STOP! DO NOT RETURN THIS PRODUCT TO THE RETAILER.

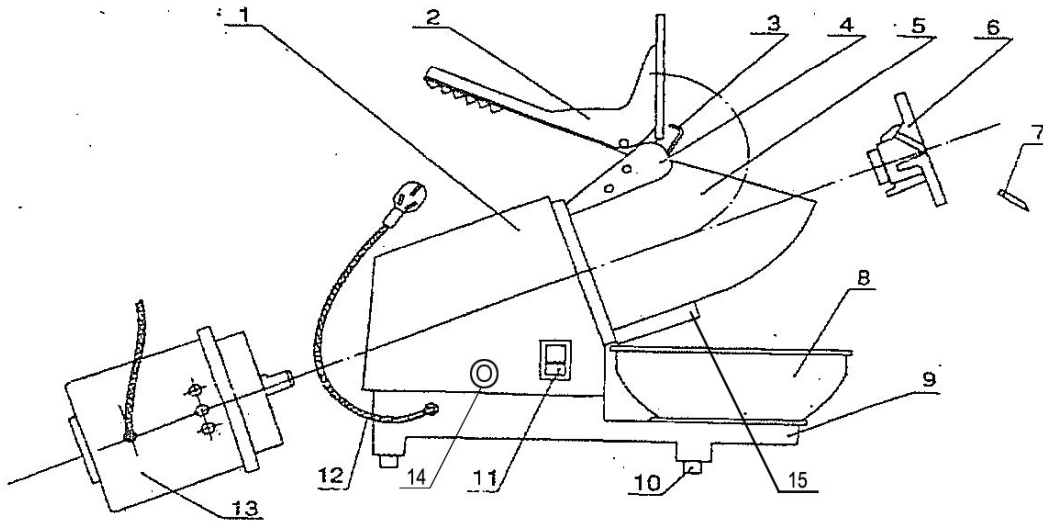
Questions? Problems? CONTACT BUFFALO TOOLS.

If you experience a problem or need parts for this product, visit our website <http://www.buffalotools.com> or call our customer help line at **1-800-568-6657, Monday-Friday, 8 AM - 4 PM Central Time**. A copy of the sales receipt is required.

Electric Ice Shaving Machine EISM Assembly and Operating Instructions

COMMON SENSE AND CAUTION ARE FACTORS WHICH CANNOT BE BUILT INTO ANY PRODUCT. THESE FACTORS MUST BE SUPPLIED BY THE OPERATOR.

Parts List



- | | |
|----------------------------|-----------------------|
| 1. Housing | 9. Base |
| 2. Handle and Cover | 10. Rubber Foot |
| 3. Control Switch Spring | 11. Main Power Switch |
| 4. Protection Switch Cover | 12. Power Cables |
| 5. Barrel | 13. Electric Motor |
| 6. Cutterhead | 14. Reset Button |
| 7. Blade | 15. Outlet |
| 8. Receiving Pan | |

Technical Specifications

Overall Size (W x D x H)	16 3/20" x 7" x 12 3/5"
Diameter of Barrel	4 1/2"
Efficiency	143 Pounds per hour
Power of Motor	180W
Voltage	110V
Frequency	60Hz
RPM	1680 R/Min

Operating Instructions

(Refer to diagram on page 2 of this manual)

1. Before operating, check that the power supply has adequate power to operate the Electric Ice Shaving Machine. Raise the Cover (2) away from the Blade (7) and Cutterhead (6), and check that the Main Power Switch (11) is in the OFF position. Plug the Power Cable (12) into a power supply.

2. Turn the Main Power Switch (11) to the ON position. Check to be certain that the Control Switch Spring (3) is working properly by moving the Handle and Cover (2) downward toward the Blade (7) and Cutterhead (6). When moving the Handle and Cover (2) downward, the Control Switch Spring (3) is triggered which turns on the Motor. Raise the Handle and Cover (2) away from the Blade (7) and Cutterhead (6). Repeat this operation several times without ice in the Barrel (5) to ensure the Control Switch Spring (3) is working.

CAUTION: If the motor is run excessively without ice in the Barrel (5), the waterproof seal ring may fail, resulting in water leakage on to the Motor. DO NOT RUN THE MOTOR EXCESSIVELY WITHOUT ICE IN THE BARREL.

3. Before inserting ice into the Barrel (5), **be certain that ice is smaller than 2 inches in diameter. Do not overfill the Barrel (5)!** The ice should not exceed the top of the barrel. Crush ice by holding the Handle (2) and moving the Handle and Cover (2) downward toward the Blade (7) and Cutterhead (6) far enough to activate the Control Switch Spring (3) and Motor. Gently push the Handle (2) downward causing the Cover (2) to apply pressure to the ice in the Barrel (5). Watch the amount of ice that the Blade (6) and Cutterhead (7) have processed and add additional ice when necessary. **NEVER use your hands to push ice through the Blade (7) & Cutterhead (8).**

4. The shaved ice is processed into the Receiving Pan (8) through the Outlet (15). Keep the Outlet (15) free from ice buildup. **If the Outlet (15) becomes blocked by ice it can damage the motor!** If the Outlet (15) does become blocked, simply raise the Handle and Cover (2) upwards, turning off the Motor. Turn the Main Power Switch (11) to the OFF position, and remove the ice blockage from the Outlet (15).

Precautions

1. Clean after each use. Be certain that the Main Power Switch is turned to the OFF position and the Power Cables have been disconnected from the power supply before wiping the Electric Ice Shaving Machine dry with a clean towel. After cleaning, be sure to lift the Handle and Cover upwards away from the Blade and Cutterhead. Do not use soap or detergent to clean the Electric Ice Shaving Machine as it could contaminate the shaved ice. Do not completely immerse in water.
2. The rated duty cycle of this machine is 80%. Avoid running the Electric Ice Shaving Machine for long periods of time. A pause of 20 minutes every for one hour of running time is recommended to extend the life of the Electric Ice Shaving Machine.
3. **Remember to turn the Main Power Switch to the OFF position and disconnect the Power Cable from the power supply before cleaning, servicing, replacing the Blade, and removing blockages from the Outlet. Never run the Electric Ice Shaving Machine without ice in the Barrel for more than a few seconds.**

Electrical Diagram

