

CCMAKER / B758 Instruction Manual



READ ALL INSTRUCTIONS AND WARNINGS BEFORE USE.

This manual provides important information on proper operation & maintenance. Every effort has been made to ensure the accuracy of this manual. These instructions are not meant to cover every possible condition and situation that may occur. We reserve the right to change this product at any time without prior notice.

IF THERE IS ANY QUESTION ABOUT A CONDITION BEING SAFE OR UNSAFE, DO NOT USE THIS PRODUCT!

DO NOT RETURN THIS PRODUCT TO THE RETAILER - CONTACT CUSTOMER SERVICE.

If you experience a problem, have questions or need parts for this product, visit our website <http://www.amerihomebrand.com> or call Customer Service at 1-888-287-6981, **Monday-Friday, 8 AM - 4 PM Central Time**. A copy of the sales receipt is required.

KEEP THIS MANUAL, SALES RECEIPT & APPLICABLE WARRANTY FOR FUTURE REFERENCE

IMPORTANT SAFE OPERATION PRACTICES

When using our cotton candy machine, safety precautions should always be followed including the following:

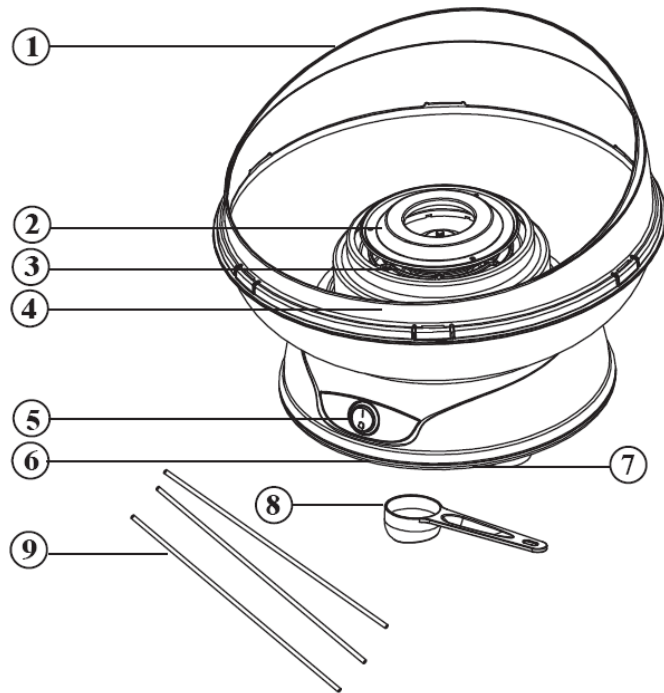
1. Read all instructions before operation.
2. Do NOT TOUCH the hot surfaces. Use handles or knobs.
3. Avoid contact with moving parts.
4. To avoid electrical hazards, do not expose cords or plugs to water.
5. Stop using the appliance if the cord or plug is damaged.
6. Adult supervision is necessary when appliance is used in presence of children.
7. Keep appliance and cord away from heat.
8. To prevent electrical shock, do not immerse cord, plug or the motor base in water or other liquids.
9. Close supervision is necessary when any appliance is used by or near children.
10. This appliance can be used by children aged from 8 years and above and persons with reduced physical, sensory or mental capabilities or lack of experience and knowledge if they have been given supervision or instruction concerning use of the appliance in a safe way and understand the hazards involved. Children shall not play with the appliance. Cleaning and user maintenance shall not be made by children unless they are older than 8 and supervised.
11. Keep the appliance and its cord out of reach of children less than 8 years.
12. Do not touch the drill bit when it is in operation.
13. Do not use outdoor.
14. Always turn the appliance "OFF" before assembling or cleaning.
15. Turn appliance to "OFF" position before disconnecting power plug from wall outlet.
16. The motor base has to be placed on a level surface to work efficiently.
17. Do not use appliance for other than intended use.
18. Unplug from outlet when not in use and before cleaning.
19. Do not operate any appliance with a damaged cord OR plug or after the appliance is malfunctioned or has been damaged in any manner.
20. Do not let cord hang over edge of table, counters or touching any hot surfaces.
21. Do not place on or near a hot gas or electric burner, or in a heated oven.
22. Extreme caution must be used when moving an appliance.
23. DO NOT leave unit unattended while in use or when plugged in to an outlet.
24. Check inside heating element compartment for foreign objects before switching to ON position.
25. Heating element in center can get hot. Avoid contact until cool.
26. Keep hands away from the machine when it is in the ON position and is spinning.
27. Clean the reservoir bowl with hot and wet towel before the first time being used and every time after use.
28. This appliance has a polarized plug (one blade is wider than the other). To reduce the risk of electric shock, this plug is intended to fit into a polarized outlet only one way. If the plug does not fit fully into the outlet, reverse the plug. If it still does not fit, contact a qualified electrician. Do not attempt to modify the plug in any way.
29. A short power-supply cord should be used to reduce the risk resulting from becoming entangled in or tripping over a longer cord. Extension cords are available and may be used if care is exercised in their use.
30. If an extension cord is used: The marked electrical rating of the extension cord should be at least as great as the electrical rating of the appliance; and the cord should be arranged so that it will not drape over the countertop or tabletop where it can be pulled on by children or tripped over unintentionally.

SAVE THESE INSTRUCTIONS

For Household Use Only

DESCRIPTION OF PARTS

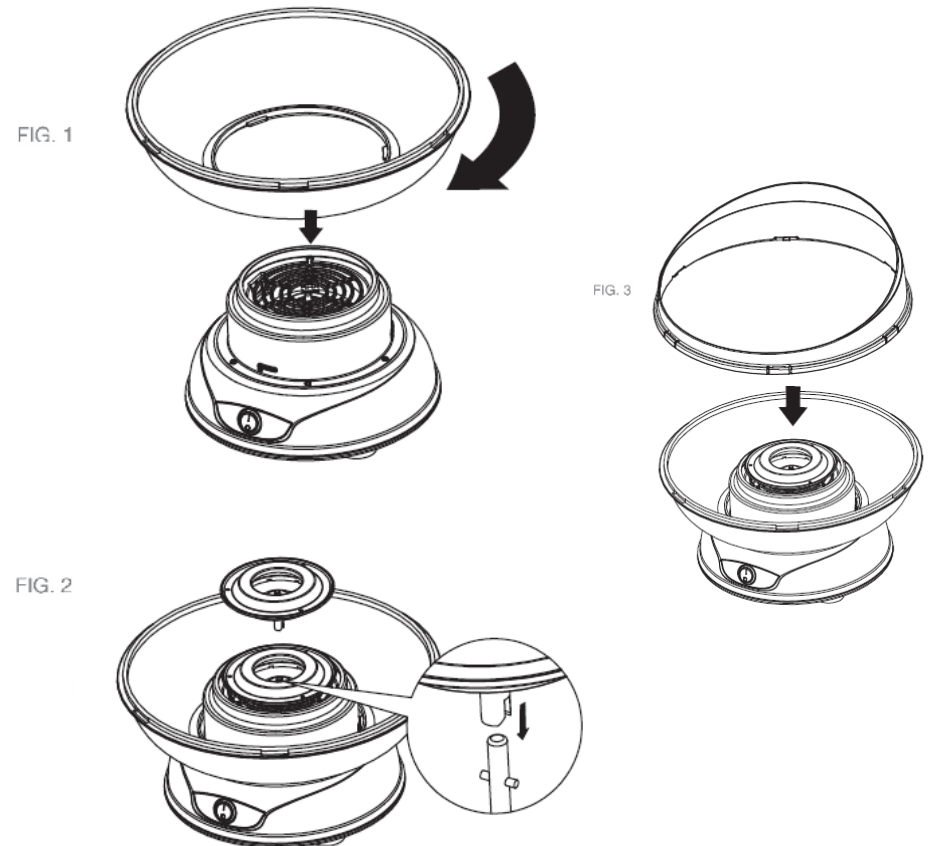
1. Splashguard
2. Sugar carameliser
3. Heating element
4. Bowl
5. ON/OFF switch
6. Body
7. PVC feet
8. Measuring Scoop
9. Wood stick



ASSEMBLY INSTRUCTIONS

1. Place the bowl on the body and turn it clockwise so that it fits securely. See Fig.1
2. Fit the carameliser onto the drive spindle. Make sure that the carameliser is correctly positioned on the pins of the drive spindle as shown in the illustration. The carameliser is correctly fitted when there is a gap of 5 to 8 mm between the carameliser and the metal housing. See Fig.2
3. Place the splashguard onto the bowl. See fig.3

ENSURE THAT ALL THE HOOKS ON THE SPLASHGUARD HAVE SNAPPED INTO POSITION ON THE BOWL.



OPERATING INSTRUCTIONS

1. Place the machine on a firm and level surface. Check that the suction feet are holding the machine securely in place.
2. Insure that the machine is properly assembled.
3. Connect plug to a power source.
4. Switch ON the cotton candy machine to pre-heat 3 mins.
5. Switch OFF the cotton candy machine, and put 1/2 ounce refined cane sugar, or cotton candy floss, into the sugar container. You may also choose to add hard, flavored candy into the carameliser. (**DO NOT touch the sugar container after unit has been turned on).
6. Switch ON the cotton candy machine. The sugar carameliser will rotate and heat by the heating element. (Do not add hard candy while the carameliser is rotating)
7. Around 2 minutes, candy floss spins out at the edge of the bowl.
8. Hold the stick and turn it in clockwise direction along the side of the bowl several times. Then hold the stick horizontally above the extractor head assembly, keep twisting the stick with you fingers to wind candy floss.
9. When the unit stops producing candy floss, the portion of sugar has been used up and your first stick of candy floss is ready. Switch the unit off 'O' and wait for the extractor head assembly to stop before pour in the next scoop of sugar.
10. To make more cotton candy, repeat the above sequence. However, do not use the unit for longer than 15 minutes at a time. Allow it to cool down for at least 15 minutes after each use.

IMPORTANT INSTRUCTIONS

1. Motor base must be placed on a level surface to work efficiently.
2. Do not add refined cane sugar while operating.
3. Do not use liquid sugar or sugar cubes on this cotton candy maker.
4. Do not operate the cotton candy maker by means of an external timer or separate remote -control system.

CLEANING

1. Make sure that the power is OFF and the appliance is not connected to a power source.
2. Leave the unit to cool down for at least 20 minutes before cleaning.
3. Do not immerse the Body, Heating Element and Cord Set in water. Use a hot damp cloth to clean these parts.
4. Remove the Bowl, and use a soft cloth to wash in warm water.
5. Remove the Sugar Container, wash it with warm water (soak it in warm water before washing to make it easier to clean). Use soft damp cloth to clean.
6. Carefully wipe the body with a damp cloth. Make sure that water does not get inside the unit.
7. Dry all parts and unit completely.

SPECIFICATIONS

Electrical: 120 ~ 60Hz

Wattage: 420W