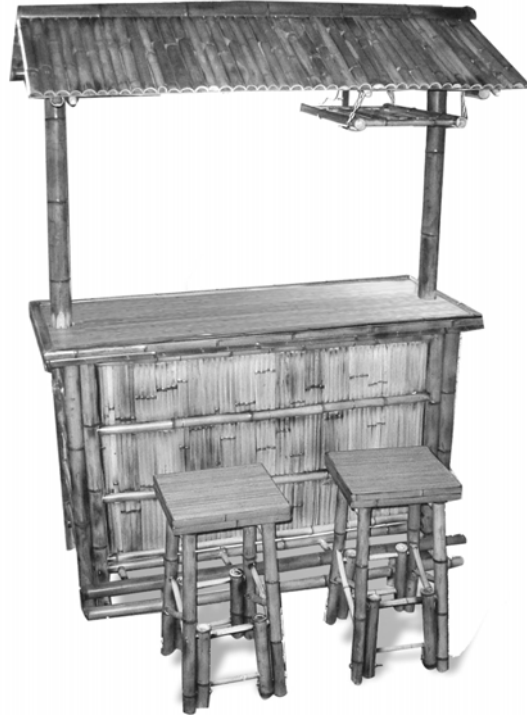


BABBRC

Bamboo Bar Set

Assembly & Operating Instructions



READ ALL INSTRUCTIONS AND WARNINGS BEFORE USING THIS PRODUCT.

SAVE THESE INSTRUCTIONS FOR FUTURE REFERENCE.

This manual provides important information on proper operation and maintenance. Every effort has been made to ensure the accuracy of this manual. We reserve the right to change this product at any time without prior notice.

STOP! DO NOT RETURN THIS PRODUCT TO THE RETAILER.

Questions? Problems? CONTACT BUFFALO TOOLS.

If you experience a problem or need parts for this product, visit our website

<http://www.buffalotools.com> or call our customer help line at **1-888-287-6981, Monday-Friday,**

8 AM - 4 PM Central Time. A copy of the sales receipt is required.

TABLE OF CONTENTS

RECOGNIZE SAFETY SYMBOLS, WORDS AND LABELS	2
GENERAL PRODUCT SPECIFICATIONS	3
FEATURES	3
PACKAGE CONTENTS	3
SPECIFICATIONS	3
COMPONENTS	3
ASSEMBLY	4
ASSEMBLING THE BAR	4
ASSEMBLING A BAR STOOL	5
MAINTENANCE	5
PARTS DIAGRAM	6
PARTS LIST	6
HARDWARE LIST	7
NOTES	8

RECOGNIZE SAFETY SYMBOLS, WORDS AND LABELS

What You Need to Know About Safety Instructions

Warning and Important Safety Instructions appearing in this manual are not meant to cover all possible conditions and situations that may occur. Common sense, caution and care must be exercised when assembling or using this product.

Always contact your dealer, distributor, service agent or manufacturer about problems or conditions you do not understand.



WARNING This is a safety alert symbol. It is used to alert you to potential personal injury hazards. Obey all safety messages that follow this symbol to avoid possible injury or death.

GENERAL PRODUCT SPECIFICATIONS

FEATURES

- Handcrafted Bamboo Construction
- For Indoor & Outdoor Use
- Hanging Rack For Bar Glasses

PACKAGE CONTENTS

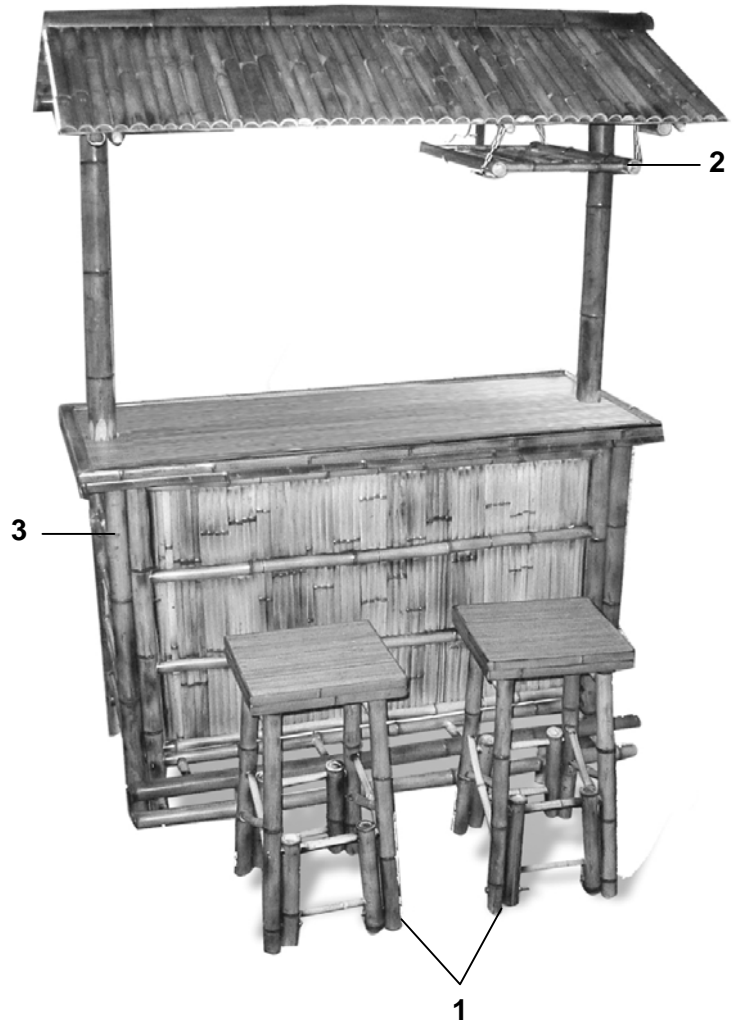
- 1) Bamboo Bar Set
- 2) 30-Inch Bamboo Bar Stools
- 1) Package of Fasteners

SPECIFICATIONS

- Bar Size 7' 6"H x 5' 9"W x 2'D
- Bar Stool Size 30" Height

COMPONENTS

- 1) Two 30" High Bar Stools
- 2) One Hanging Rack For Bar Glasses
- 3) One Bamboo Bar Set



KEEP THIS MANUAL, SALES RECEIPT & APPLICABLE WARRANTY FOR FUTURE REFERENCE. READ ALL INSTRUCTIONS AND WARNINGS BEFORE USING THIS PRODUCT. When unpacking, check to make sure all parts listed are included. If any parts are missing or broken, please call Customer Service at 1-888-287-6981.

ASSEMBLY

COMMON SENSE AND CAUTION ARE FACTORS WHICH CANNOT BE BUILT INTO ANY PRODUCT. THESE FACTORS MUST BE SUPPLIED BY THE OPERATOR.

WARNING

On initial assembly, do not tighten screws completely until assembly is completed.

ASSEMBLING THE BAR

Assemble the bar by following the diagrams below.

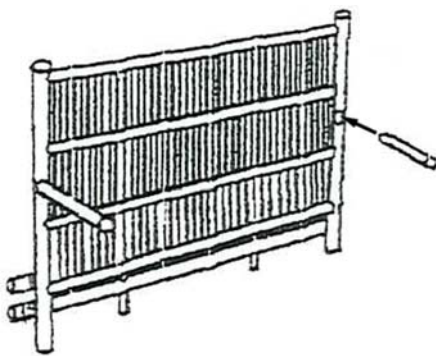


Figure 1
Start with the Front Panel (#9) and attach the two Shelf Supports (#14)

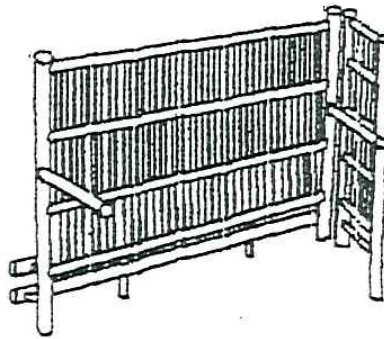


Figure 2
Add the two Side Panels (#6) and secure with the M8x140 bolts.

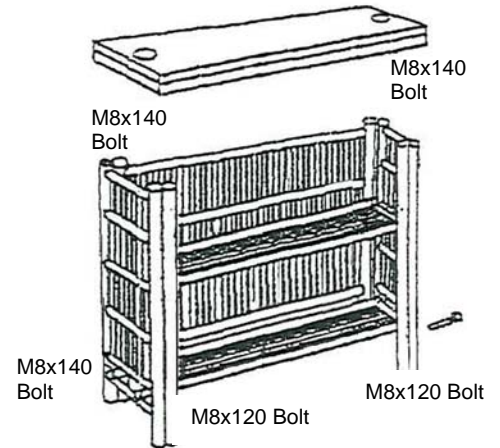


Figure 3
Attach the Counter Top (#5) and attach the Top Shelf (#7) and Bottom Shelf (#8)

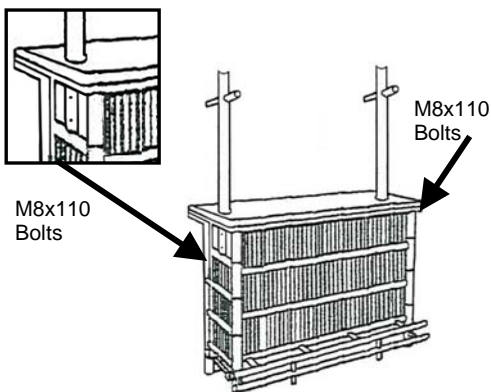


Figure 4
Install the two Vertical Supports (#4). The Vertical Support is forked and attaches to the Side Panels using two M8x110 bolts.

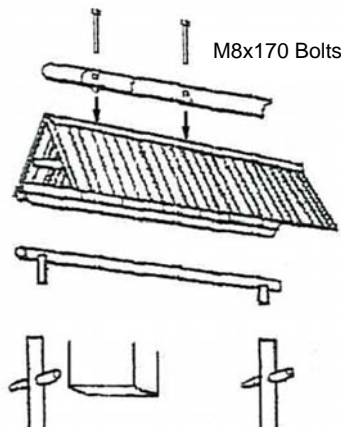


Figure 5
Install the Support Beam (#3) on top of the Vertical Support. Place the Top Roof Panels (#2) on top, then secure the Crown (#1).



Figure 6
Add the Hanging Rack (#13), then tighten all bolts and screws to secure the Bamboo Bar.

ASSEMBLING THE BAR STOOLS

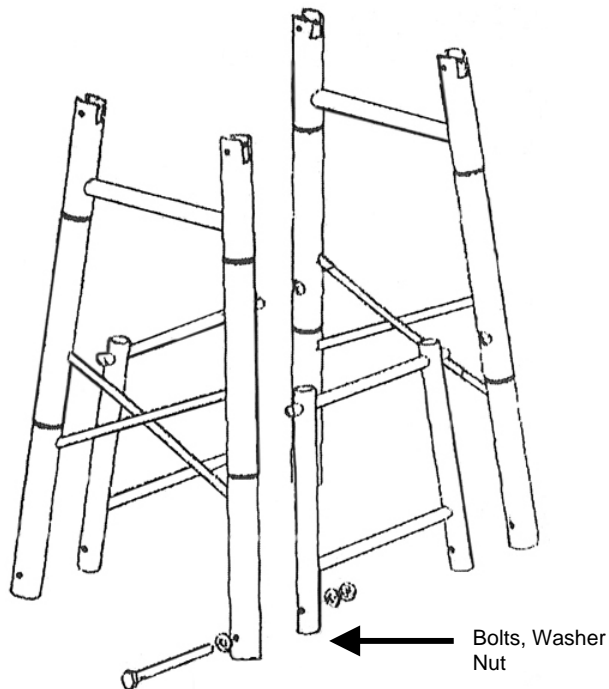


Figure 7
Place the Leg Supports (#12) between the Legs so that the post on the support faces the hole on a corresponding leg. Attach Bolts at the bottom of each leg.

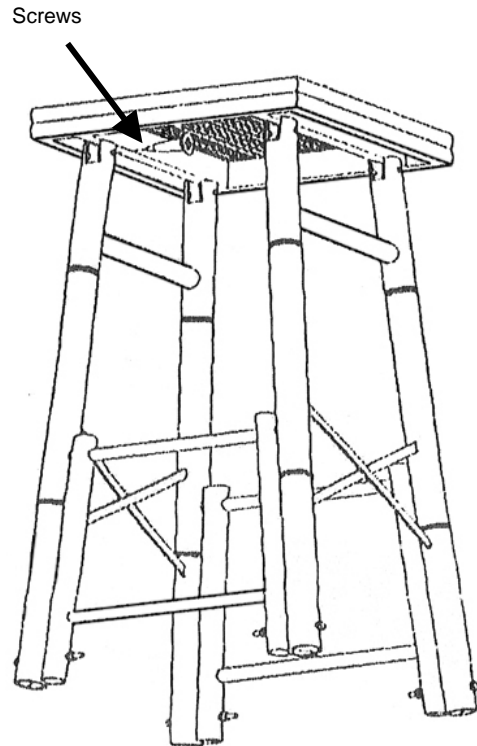


Figure 8
Place the legs so that the opening in the top of the legs straddles the Support Beam on the bottom side of the Seat. NOTE: Make sure the holes on the legs face each other. When both legs and their supports are in place, secure the legs to the Seat using 4 screws.

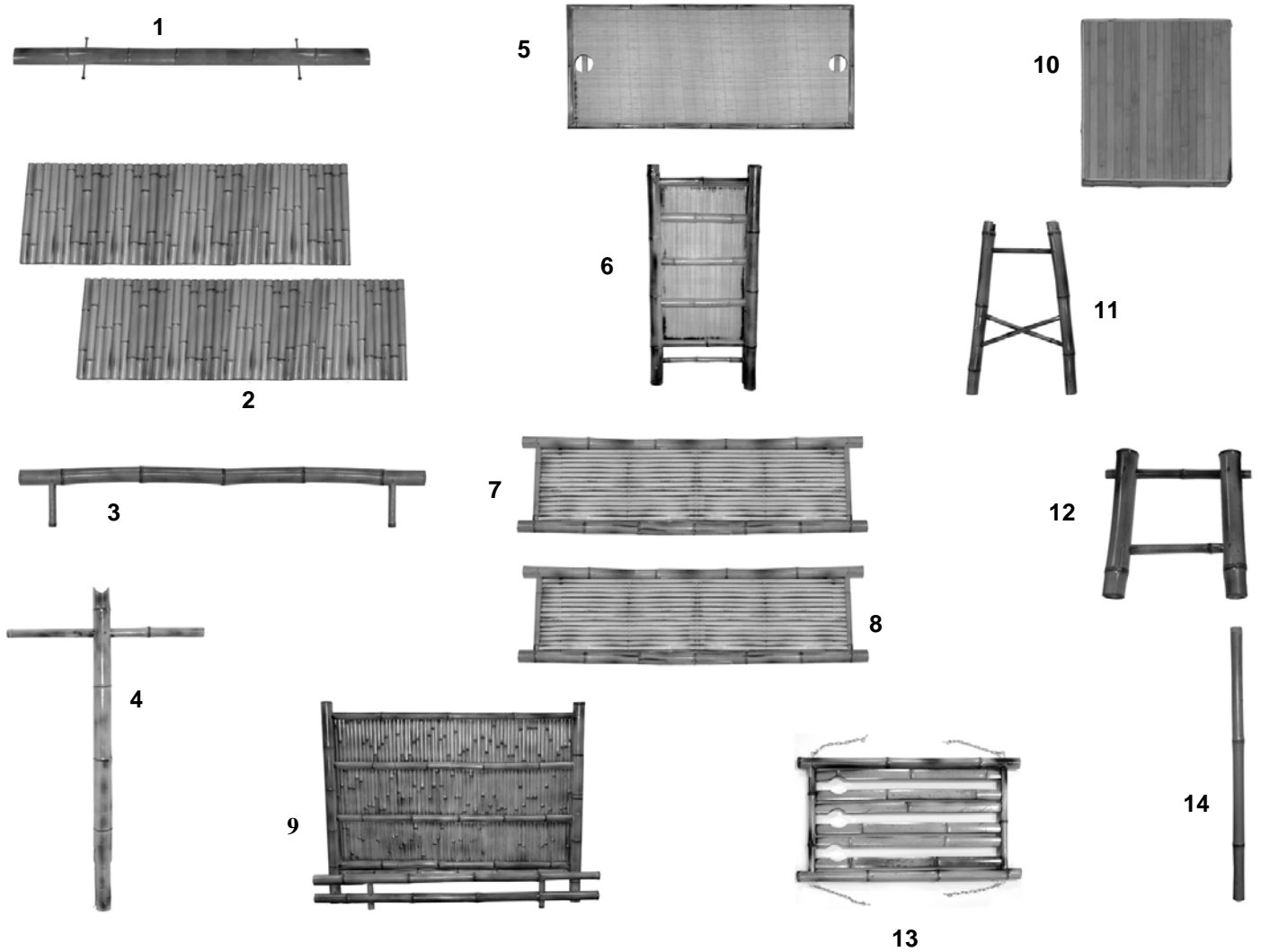
MAINTENANCE

WARNING

Before use, check the nuts and bolts on a regular basis to make sure they are tight.

When used outdoors, place on a dry surface such as concrete or decking, and not in wet areas such as grass. Cover during inclement weather. Mild household cleaning products can be used for cleaning.

PARTS DIAGRAM



PARTS LIST

Part No.	Description	Qty.	Part No.	Description	Qty.
1	Crown	1	14	Shelf Support	2
2	Top Roof Panels	1	15	M8 x 110 Bolt (4.5") Bamboo Bar	4
3	Support Beam	1	16	M8 x 120 Bolt (4.75") Bamboo Bar	2
4	Vertical Support	2	17	M8 x 140 Bolt (5.5") Bamboo Bar	6
5	Counter Top	1	18	M8 x 170 Bolt (7") Bamboo Bar	2
6	Side Panel	2	19	Washer (Bar 28 pcs) (Stool 16 pcs)	44
7	Top Shelf	1	20	M3 x 25mm Screw (Stool)	8
8	Bottom Shelf	1	21	Nut (Bar 14 pcs) (Stool 8 pcs)	22
9	Front Panel	1	22	M6 x 110 Bolt (4.5") (Stool)	8
10	Stool Seat	2			
11	Stool Legs	2			
12	Stool Leg Support	2			
13	Hanging Rack For Bar Glasses	1			

HARDWARE

